

**TARA Shower pipe with shower thermostat without hand shower 220 mm -
Chrome**

TARA

34 458 892



- shower with fixed riser projection 452mm
- Rain shower: PURE RAIN, max. flow rate 6.8 l/min (at 3 bar)
- Function from: 6 l/min
- rain shower Ø 220 mm
- rain shower with anti-scale system
- rotary diverter with volume control and shut-off function
- slide-on rosettes Ø 70 mm
- height of fittings up to rain shower (bottom edge) 964mm
- height of fittings up to top edge of elbow 1267mm
- gauge 150 mm - 13 mm
- metal shower hose 1750mm with integrated anti-twist protection
- 1/2" connection
- slide bar
- Pipe diameter 23.5 mm

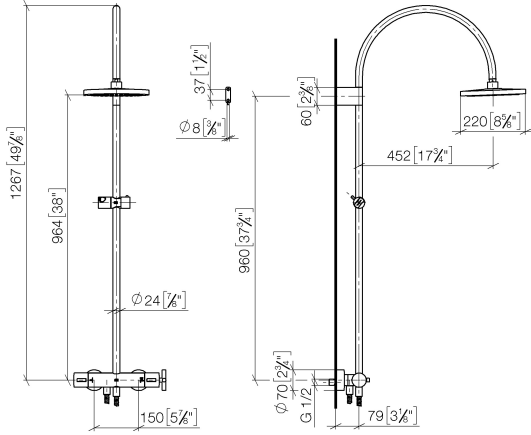
	Chrome	34 458 892-00 0010
	Brushed Platinum	34 458 892-06 0010
	Platinum	34 458 892-08 0010
	Brushed Durabronze (23kt Gold)	34 458 892-28 0010
	Matte Black	34 458 892-33 0010
	Brushed Champagne (22kt Gold)	34 458 892-46 0010
	Champagne (22kt Gold)	34 458 892-47 0010
	Brushed Chrome	34 458 892-93 0010
	Brushed Dark Platinum	34 458 892-99 0010

TARA Shower pipe with shower thermostat without hand shower 220 mm - Chrome

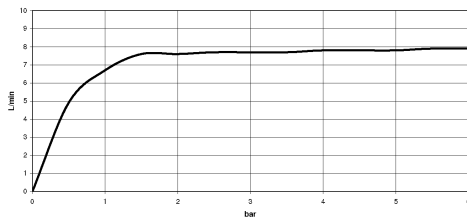
TARA

34 458 892
mm [inches]

1:10



Flow rate chart



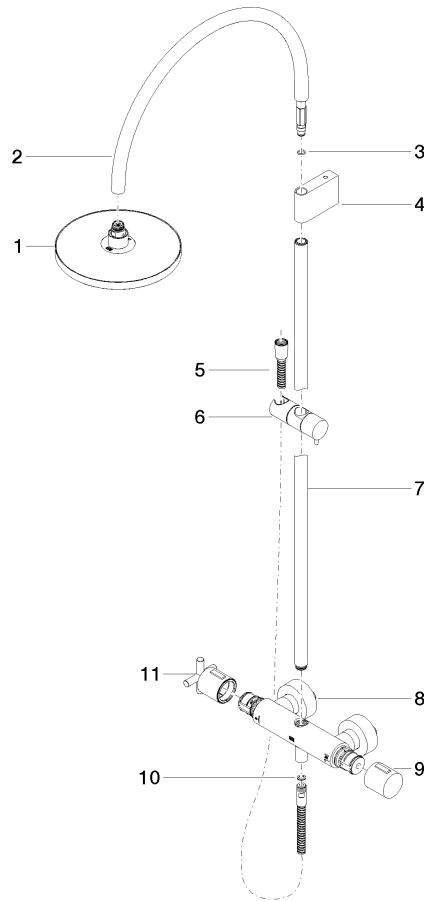
Codes & Standards

California Energy
Commission
(CEC)

TARA Shower pipe with shower thermostat without hand shower 220 mm - Chrome

TARA

34 458 892
Parts for other finishes can be found here: Brushed Platinum



Spare parts list

No.	Item Number	Name	Quantity used	Delivery time
1	04 12 05 092 10-00	shower	1	10
2	04 28 22 346 00-00	pipe	1	10
3	09 14 10 008 90	seal	1	2
4	90 17 11 150 00-00	holder	1	10
5	28 322 970-00	Metal shower hose 1/2" x 3/8" x 1750 mm - Chrome	1	2
6	12 570 970-00	Slide unit - Chrome	1	10
7	90 28 22 349 00-00	pipe	1	10
8	04 17 01 250 00-00	connection	1	10
9	90 17 33 015 00-00	handle	1	10
10	90 14 20 026 00 90	seal	1	2
11	90 17 33 021 00-00	handle	1	10