

MADISON Showerpipe with shower thermostat without hand shower - Brushed Dark Platinum

MADISON

34 459 360



- shower with fixed riser projection 420mm
 - overhead shower: rain flow
 - rain shower Ø 200 mm
 - rain shower with anti-scale system
 - max. rainshower flow 6.8 l/min
 - rotary diverter for fixed-riser shower/hand shower
 - height of fittings up to rain shower (bottom edge) 985mm
 - height of fittings up to top edge of elbow 1160mm
 - two-part push-on rosette Ø 65 mm
 - rosette for shower holder Ø 65mm
 - rosette for wall mounting Ø 60mm
 - gauge 150 mm - 13 mm
 - metal shower hose 1250mm with integrated anti-twist protection
 - 1/2" connection
 - Pipe diameter 20 mm
 - This product reduces water consumption by % (compared to requirements of EPAct '92)
 - This product can contribute to Water Use Reduction in LEED® Green Building Rating
- Intrinsic protection against back flow.**

NOTE: Hand shower sold separately. Please see hand shower options under the miscellaneous articles section of each series.

Intrinsic protection against back flow.

NOTE: Hand shower sold separately. Please see hand shower options under the miscellaneous articles section of each series.

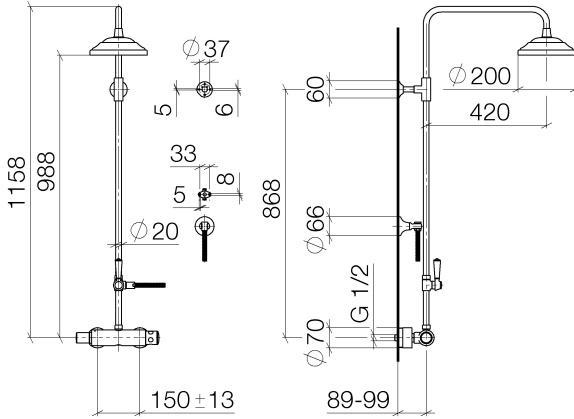
	Brushed Dark Platinum	34 459 360-99 0010
	Chrome	34 459 360-00 0010
	Brushed Platinum	34 459 360-06 0010
	Platinum	34 459 360-08 0010
	Durabass (23kt Gold)	34 459 360-09 0010
	Brushed Durabass (23kt Gold)	34 459 360-28 0010

Required miscellaneous

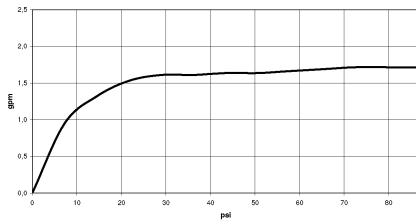


- Concealed adapter -** 35 080 970-90
- please order two adapters (USA only) 0010

34 459 360
1:10



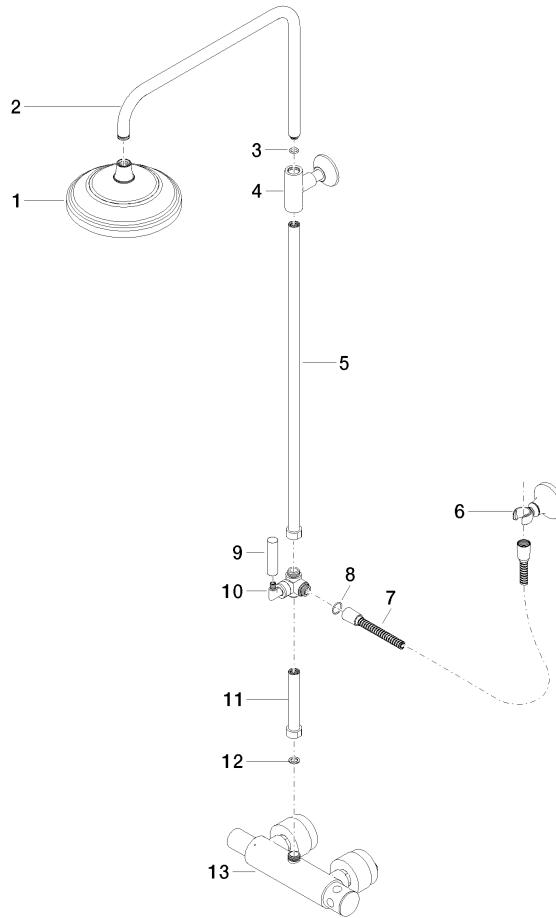
Flow rate chart



Codes & Standards

ASME A112.18.1/CSA B125.1	California Energy Commission (CEC)
---------------------------------	--

34 459 360



Spare parts list

No.	Item Number	Name	Quantity used	Delivery time
1	04 12 05 038 30-99	shower	1	30
2	04 28 22 101 20-99	spout	1	30
3	90 14 10 011 00 90	seal	1	2
4	90 17 11 037 01-99	holder	1	30
5	90 28 22 104 00-99	pipe	1	30
6	90 17 09 045 01-99	diverter	1	30
7	09 30 30 064-99	screw	1	30
8	09 18 20 011-99	base	1	30
9	09 28 22 013 90	pipe	1	2
10	11 170 370-99	MADISON Lever insert - Brushed Dark Platinum	1	30
11	09 30 30 062-99	screw	1	30
12	09 14 10 122 90	seal	1	2
13	28 104 970-99	Metal shower hose 1/2" x 1/2" x 1250 mm - Brushed Dark Platinum	1	2
14	28 050 410-99	holder	1	60
15	90 28 22 103 00-99	pipe	1	30
16	90 14 20 002 00 90	seal	1	2
17	04 17 01 044 01-99	fitting	1	30