

Showerpipe with shower thermostat without hand shower 220 mm - Brushed Platinum

TARA

34 459 892



Fits: TARA, VAIA, META

- shower with fixed riser projection 452mm
- overhead shower: rain flow
- rain shower Ø 220 mm
- rain shower with anti-scale system
- max. rainshower flow 6.8 l/min
- rotary diverter with volume control and shut-off function
- slide-on rosettes Ø 70 mm
- height of fittings up to rain shower (bottom edge) 963mm
- height of fittings up to top edge of elbow 1267mm
- gauge 150 mm - 13 mm
- metal shower hose 1750mm with integrated anti-twist protection
- 1/2" connection
- slide bar
- Pipe diameter 23.5 mm
- quick clearing
- This product reduces water consumption by % (compared to requirements of EPAct '92)
- This product can contribute to Water Use Reduction in LEED® Green Building Rating

Intrinsic protection against back flow.
NOTE: Hand shower sold separately. Please see hand shower options under the miscellaneous articles section of each series.

Intrinsic protection against back flow.

NOTE: Hand shower sold separately. Please see hand shower options under the miscellaneous articles section of each series.

| | | |
|--|--------------------------------|--------------------|
| | Brushed Platinum | 34 459 892-06 0010 |
| | Chrome | 34 459 892-00 0010 |
| | Platinum | 34 459 892-08 0010 |
| | Dark Chrome | 34 459 892-19 0010 |
| | Brushed Light Gold | 34 459 892-27 0010 |
| | Brushed Durabronze (23kt Gold) | 34 459 892-28 0010 |
| | Matte Black | 34 459 892-33 0010 |
| | Brushed Bronze | 34 459 892-42 0010 |
| | Brushed Champagne (22kt Gold) | 34 459 892-46 0010 |
| | Champagne (22kt Gold) | 34 459 892-47 0010 |
| | Brushed Chrome | 34 459 892-93 0010 |
| | Brushed Dark Platinum | 34 459 892-99 0010 |

Required miscellaneous

| | | |
|--|---|-----------------------|
| | Concealed adapter - •please order two adapters (USA only) | 35 080 970-90 0010 |
|--|---|-----------------------|

Required miscellaneous

| | | |
|--|--|-----------------------|
| | Hand shower FlowReduce - Brushed Platinum | 28 016 979-06 0010 |
|--|--|-----------------------|

Required miscellaneous

| | | |
|--|--|-----------------------|
| | Hand shower FlowReduce - Brushed Platinum | 28 012 979-06 0010 |
|--|--|-----------------------|

Required miscellaneous

| | | |
|--|--|-----------------------|
| | Hand shower FlowReduce - Brushed Platinum | 28 018 979-06 0010 |
|--|--|-----------------------|

Required miscellaneous

| | | |
|--|--|-----------------------|
| | SERIES-VARIOUS Hand shower - Brushed Platinum | 28 029 979-06 0010 |
|--|--|-----------------------|

Required miscellaneous

| | | |
|--|--|-----------------------|
| | SERIES-VARIOUS Hand shower - Brushed Platinum | 28 027 979-06 0010 |
|--|--|-----------------------|

Required miscellaneous

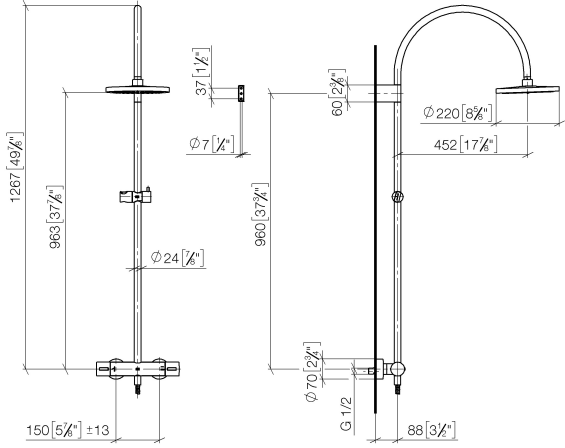
| | | |
|--|--|-----------------------|
| | SERIES-VARIOUS Hand shower - Brushed Platinum | 28 025 979-06 0010 |
|--|--|-----------------------|



Showerpipe with shower thermostat without hand shower 220 mm - Brushed Platinum

TARA

34 459 892
mm [inches]
M 1:10



Flow rate chart



Codes & Standards

ASME
A112.18.1/CSA
B125.1

California Energy
Commission
(CEC)

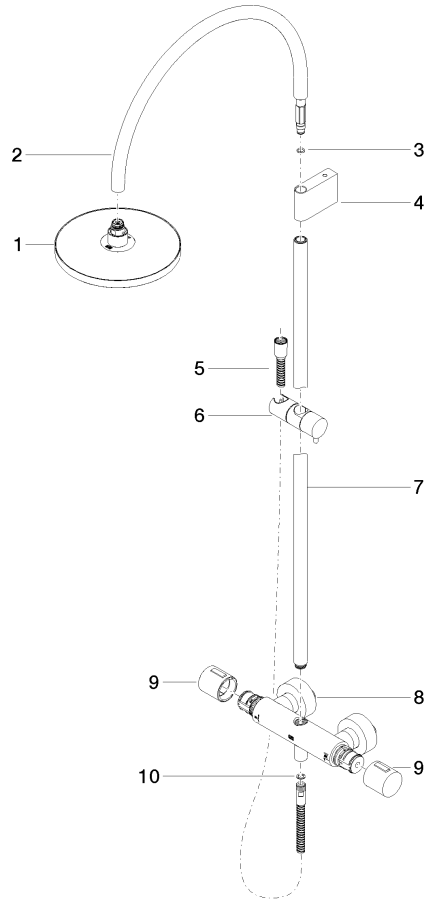
Showerpipe with shower thermostat without hand shower 220 mm - Brushed
Platinum

TARA

34 459 892

Product version up to 9/10/2020

Product version from 9/10/2020





Showerpipe with shower thermostat without hand shower 220 mm - Brushed
Platinum

TARA

34 459 892

Spare parts list

Product version up to 9/10/2020

Product version from 9/10/2020

| No. | Item Number | Name | Quantity used | Delivery time |
|-----|--------------------|--------|---------------|---------------|
| | 04 12 05 092 10-06 | shower | 11 | 10 |