

34 459 979



Fits: IMO, LULU, TARA, LISSÉ, VAIA, META

- shower with fixed riser projection 453mm
  - overhead shower: rain flow
  - rain shower with anti-scale system
  - rain shower Ø 220 mm
  - max. rainshower flow 6.8 l/min
  - rotary diverter with volume control and shut-off function
  - height of fittings up to top edge of elbow 1150mm
  - slide-on rosettes Ø 70 mm
  - height of fittings up to rain shower (bottom edge) 1009mm
  - gauge 150 mm - 13 mm
  - metal shower hose 1750mm with integrated anti-twist protection
  - 1/2" connection
  - slide bar
  - Pipe diameter 23.5 mm
  - quick clearing
  - This product reduces water consumption by % (compared to requirements of EPAct '92)
  - This product can contribute to Water Use Reduction in LEED® Green Building Rating
- Intrinsic protection against back flow.**

**NOTE: Hand shower sold separately. Please see hand shower options under the miscellaneous articles section of each series.**

Intrinsic protection against back flow.

NOTE: Hand shower sold separately. Please see hand shower options under the miscellaneous articles section of each series.

	Brushed Platinum	34 459 979-06 0010
	Chrome	34 459 979-00 0010
	Platinum	34 459 979-08 0010
	Dark Chrome	34 459 979-19 0010
	Light Gold	34 459 979-26 0010
	Brushed Light Gold	34 459 979-27 0010
	Brushed Durabronze (23kt Gold)	34 459 979-28 0010
	Matte Black	34 459 979-33 0010
	Brushed Bronze	34 459 979-42 0010
	Brushed Champagne (22kt Gold)	34 459 979-46 0010
	Champagne (22kt Gold)	34 459 979-47 0010
	Brushed Chrome	34 459 979-93 0010
	Brushed Dark Platinum	34 459 979-99 0010

### Required miscellaneous

	<b>Concealed adapter -</b> •please order two adapters (USA only)	35 080 970-90 0010
--	---	--------------------

### Required miscellaneous

	<b>Hand shower FlowReduce - Brushed Platinum</b>	28 012 979-06 0010
--	--	--------------------

### Required miscellaneous

	<b>SERIES-VARIOUS Hand shower - Brushed Platinum</b>	28 029 979-06 0010
--	--	--------------------

### Required miscellaneous

	<b>SERIES-VARIOUS Hand shower - Brushed Platinum</b>	28 025 979-06 0010
--	--	--------------------

### Required miscellaneous

	<b>Hand shower FlowReduce - Brushed Platinum</b>	28 016 979-06 0010
--	--	--------------------

### Required miscellaneous

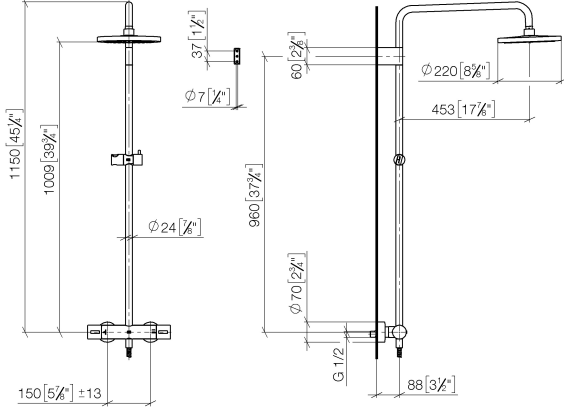
	<b>Hand shower FlowReduce - Brushed Platinum</b>	28 018 979-06 0010
--	--	--------------------

### Required miscellaneous

	<b>SERIES-VARIOUS Hand shower - Brushed Platinum</b>	28 027 979-06 0010
--	--	--------------------

34 459 979

mm [inches]  
1:10



Flow rate chart



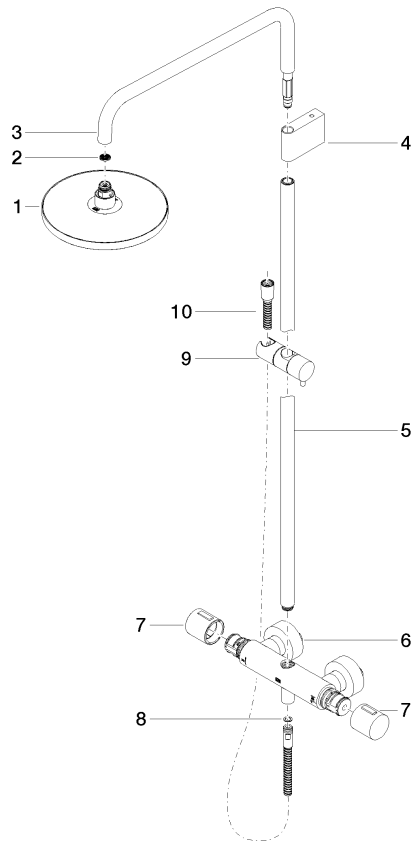
Codes & Standards

ASME  
A112.18.1/CSA  
B125.1

California Energy  
Commission  
(CEC)

34 459 979

Product version from 7/1/2023





## Showerpipe with shower thermostat without hand shower - Brushed Platinum

IMO

34 459 979

### Spare parts list

#### Product version from 7/1/2023

No.	Item Number	Name	Quantity used	Delivery time
	04 12 05 092 10-06	shower	11	10