

34 459 979



Fits: IMO, LULU, TARA, LISSÉ, VAIA, META

- shower with fixed riser projection 453mm
- overhead shower: rain flow
- rain shower with anti-scale system
- rain shower Ø 220 mm
- max. rainshower flow 6.8 l/min
- rotary diverter with volume control and shut-off function
- height of fittings up to top edge of elbow 1150mm
- slide-on rosettes Ø 70 mm
- height of fittings up to rain shower (bottom edge) 1009mm
- gauge 150 mm - 13 mm
- metal shower hose 1750mm with integrated anti-twist protection
- 1/2" connection
- slide bar
- Pipe diameter 23.5 mm
- quick clearing
- This product reduces water consumption by % (compared to requirements of EPAct '92)
- This product can contribute to Water Use Reduction in LEED® Green Building Rating

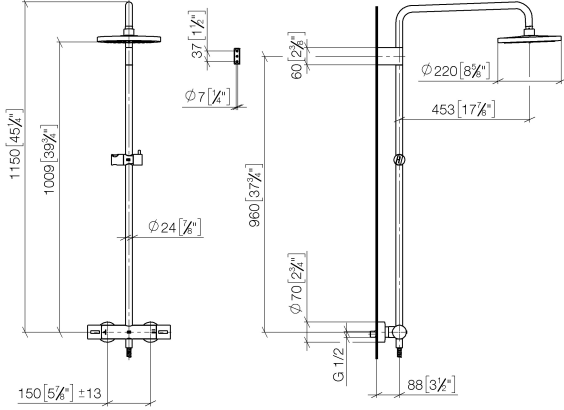
Intrinsic protection against back flow.

NOTE: Hand shower sold separately. Please see hand shower options under the miscellaneous articles section of each series.

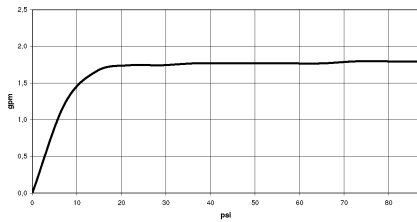
| | | |
|--|--------------------------------|--------------------|
|  | Brushed Light Gold | 34 459 979-27 0010 |
|  | Chrome | 34 459 979-00 0010 |
|  | Brushed Platinum | 34 459 979-06 0010 |
|  | Platinum | 34 459 979-08 0010 |
|  | Dark Chrome | 34 459 979-19 0010 |
|  | Light Gold | 34 459 979-26 0010 |
|  | Brushed Durabronze (23kt Gold) | 34 459 979-28 0010 |
|  | Matte Black | 34 459 979-33 0010 |
|  | Brushed Bronze | 34 459 979-42 0010 |
|  | Brushed Champagne (22kt Gold) | 34 459 979-46 0010 |
|  | Champagne (22kt Gold) | 34 459 979-47 0010 |
|  | Brushed Chrome | 34 459 979-93 0010 |
|  | Brushed Dark Platinum | 34 459 979-99 0010 |

34 459 979

mm [inches]
1:10



Flow rate chart



Codes & Standards

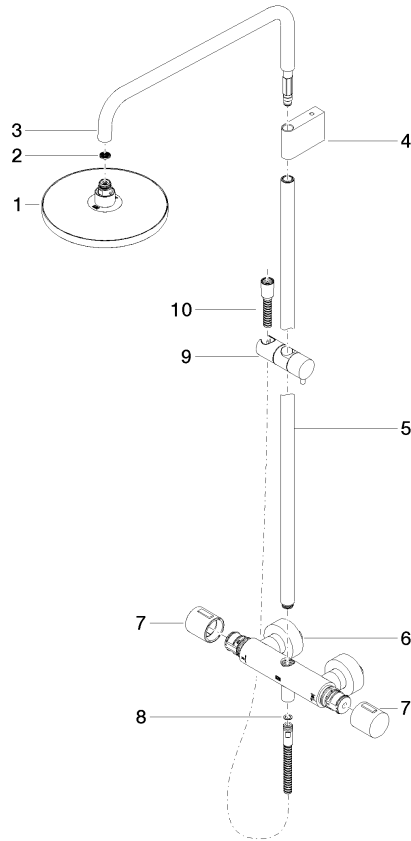
ASME
A112.18.1/CSA
B125.1

California Energy
Commission
(CEC)

34 459 979

Product version from 7/1/2023

Parts for other finishes can be found here: [Chrome](#)





Showerpipe with shower thermostat without hand shower - Brushed Light Gold

IMO

34 459 979

Spare parts list

Product version from 7/1/2023

| No. | Item Number | Name | Quantity used | Delivery time |
|-----|--------------------|--------|---------------|---------------|
| | 04 12 05 092 10-27 | shower | 11 | 60 |