

Showerpipe with shower thermostat without hand shower - Brushed Dark Platinum

IMO

34 459 979



Fits: IMO, LULU, TARA, LISSÉ, VAIA, META

- shower with fixed riser projection 453mm
 - overhead shower: rain flow
 - rain shower with anti-scale system
 - rain shower Ø 220 mm
 - max. rainshower flow 6.8 l/min
 - rotary diverter with volume control and shut-off function
 - height of fittings up to top edge of elbow 1150mm
 - slide-on rosettes Ø 70 mm
 - height of fittings up to rain shower (bottom edge) 1009mm
 - gauge 150 mm - 13 mm
 - metal shower hose 1750mm with integrated anti-twist protection
 - 1/2" connection
 - slide bar
 - Pipe diameter 23.5 mm
 - quick clearing
 - This product reduces water consumption by % (compared to requirements of EPAct '92)
 - This product can contribute to Water Use Reduction in LEED® Green Building Rating
- Intrinsic protection against back flow.**

NOTE: Hand shower sold separately. Please see hand shower options under the miscellaneous articles section of each series.

Intrinsic protection against back flow.

NOTE: Hand shower sold separately. Please see hand shower options under the miscellaneous articles section of each series.

	Brushed Dark Platinum	34 459 979-99 0010
	Chrome	34 459 979-00 0010
	Brushed Platinum	34 459 979-06 0010
	Platinum	34 459 979-08 0010
	Dark Chrome	34 459 979-19 0010
	Light Gold	34 459 979-26 0010
	Brushed Light Gold	34 459 979-27 0010
	Brushed Durabronze (23kt Gold)	34 459 979-28 0010
	Matte Black	34 459 979-33 0010
	Brushed Bronze	34 459 979-42 0010
	Brushed Champagne (22kt Gold)	34 459 979-46 0010
	Champagne (22kt Gold)	34 459 979-47 0010
	Brushed Chrome	34 459 979-93 0010

Required miscellaneous

	Concealed adapter - •please order two adapters (USA only)	35 080 970-90 0010
--	---	--------------------

Required miscellaneous

	Hand shower FlowReduce - Brushed Dark Platinum	28 012 979-99 0010
--	---	--------------------

Required miscellaneous

	SERIES-VARIOUS Hand shower - Brushed Dark Platinum	28 029 979-99 0010
--	---	--------------------

Required miscellaneous

	SERIES-VARIOUS Hand shower - Brushed Dark Platinum	28 027 979-99 0010
--	---	--------------------

Required miscellaneous

	Hand shower FlowReduce - Brushed Dark Platinum	28 016 979-99 0010
--	---	--------------------

Required miscellaneous

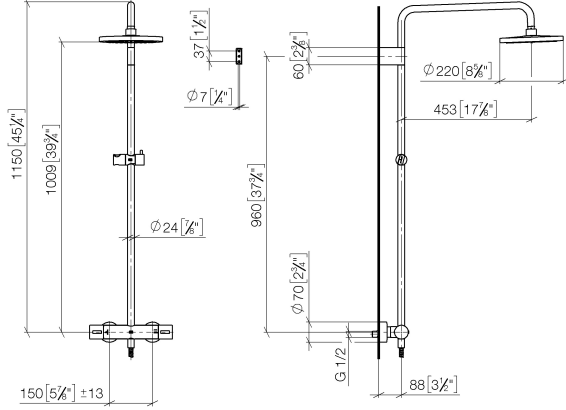
	Hand shower FlowReduce - Brushed Dark Platinum	28 018 979-99 0010
--	---	--------------------

Required miscellaneous

	SERIES-VARIOUS Hand shower - Brushed Dark Platinum	28 025 979-99 0010
--	---	--------------------

Showerpipe with shower thermostat without hand shower - Brushed Dark Platinum

34 459 979
mm [inches]
1:10



Flow rate chart



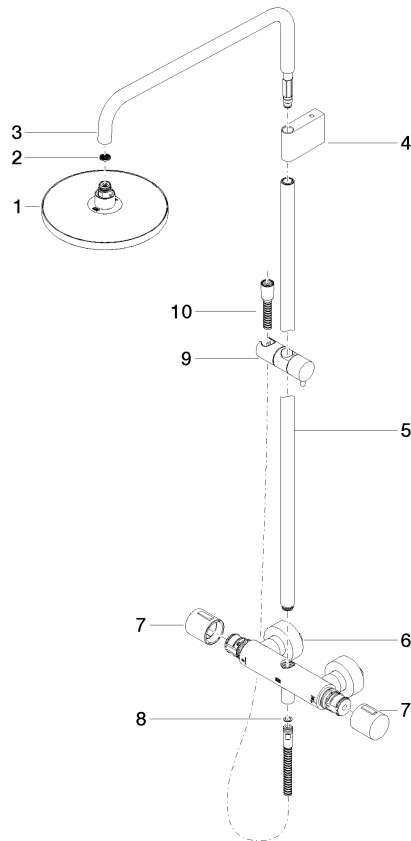
Codes & Standards

ASME
A112.18.1/CSA
B125.1

California Energy
Commission
(CEC)

34 459 979

Product version from 7/1/2023





Showerpipe with shower thermostat without hand shower - Brushed Dark
Platinum

IMO

34 459 979

Spare parts list

Product version from 7/1/2023

No.	Item Number	Name	Quantity used	Delivery time
	04 12 05 092 10-99	shower	11	30