

34 459 980



Fits: IMO, MEM, CL.1, CYO

- shower with fixed riser projection 453mm
- overhead shower: rain flow
- rain shower 300 x 240mm
- rain shower with anti-scale system
- max. rainshower flow 6.8 l/min
- Function from: 6 l/min
- rotary diverter with volume control and shut-off function
- slide-on rosettes Ø 70 mm
- height of fittings up to rain shower (bottom edge) 1009mm
- height of fittings up to top edge of elbow 1150mm
- gauge 150 mm - 13 mm
- metal shower hose 1750mm with integrated anti-twist protection
- 1/2" connection
- slide bar
- Pipe diameter 23.5 mm
- quick clearing
- This product reduces water consumption by % (compared to requirements of EAct '92)
- This product can contribute to Water Use Reduction in LEED® Green Building Rating

**Intrinsic protection against back flow.**

**NOTE: Hand shower sold separately. Please see hand shower options under the miscellaneous articles section of each series.**

Intrinsic protection against back flow.

NOTE: Hand shower sold separately. Please see hand shower options under the miscellaneous articles section of each series.

	Brushed Platinum	34 459 980-06 0010
	Chrome	34 459 980-00 0010
	Platinum	34 459 980-08 0010
	Dark Chrome	34 459 980-19 0010
	Brushed Light Gold	34 459 980-27 0010
	Brushed Durabronze (23kt Gold)	34 459 980-28 0010
	Matte Black	34 459 980-33 0010
	Brushed Champagne (22kt Gold)	34 459 980-46 0010
	Champagne (22kt Gold)	34 459 980-47 0010
	Brushed Chrome	34 459 980-93 0010
	Brushed Dark Platinum	34 459 980-99 0010

### Required miscellaneous

	<b>Concealed adapter -</b> •please order two adapters (USA only)	35 080 970-90 0010
--	---	--------------------

### Required miscellaneous

	<b>Hand shower FlowReduce -</b> <b>Brushed Platinum</b>	28 012 979-06 0010
--	--	--------------------

### Required miscellaneous

	<b>SERIES-VARIOUS Hand shower -</b> <b>Brushed Platinum</b>	28 029 979-06 0010
--	--	--------------------

### Required miscellaneous

	<b>SERIES-VARIOUS Hand shower -</b> <b>Brushed Platinum</b>	28 025 979-06 0010
--	--	--------------------

### Required miscellaneous

	<b>Hand shower FlowReduce -</b> <b>Brushed Platinum</b>	28 016 979-06 0010
--	--	--------------------

### Required miscellaneous

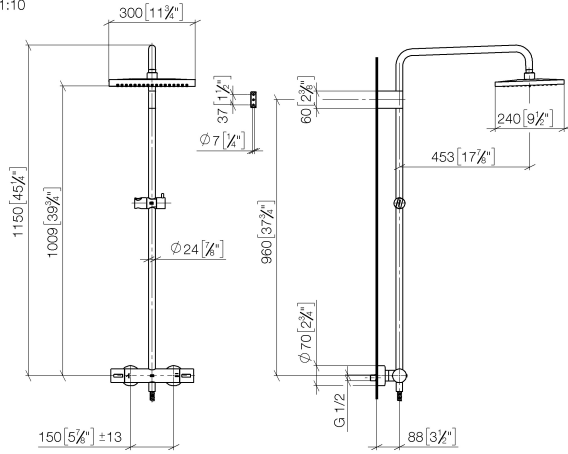
	<b>Hand shower FlowReduce -</b> <b>Brushed Platinum</b>	28 018 979-06 0010
--	--	--------------------

### Required miscellaneous

	<b>SERIES-VARIOUS Hand shower -</b> <b>Brushed Platinum</b>	28 027 979-06 0010
--	--	--------------------

34 459 980

mm [inches]  
1:10



Flow rate chart



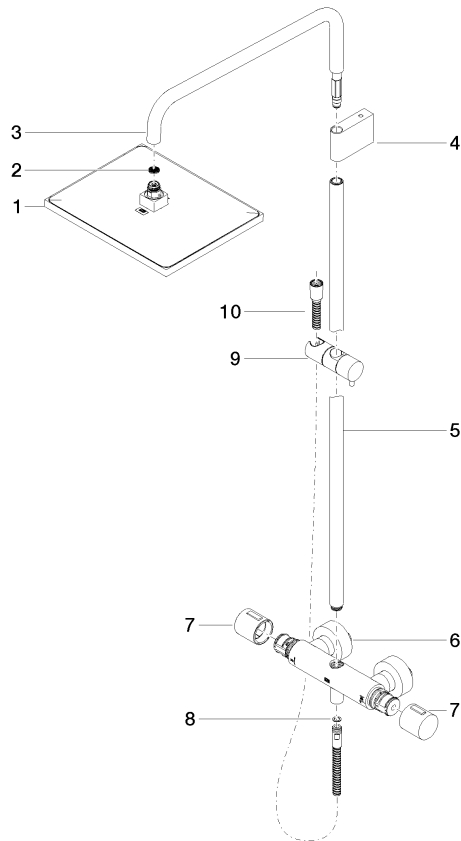
Codes & Standards

ASME  
A112.18.1/CSA  
B125.1

California Energy  
Commission  
(CEC)

34 459 980

Product version from 6/1/2024





## Showerpipe with shower thermostat without hand shower - Brushed Platinum

IMO

34 459 980

### Spare parts list

#### Product version from 6/1/2024

No.	Item Number	Name	Quantity used	Delivery time
	04 12 05 063 10-06	shower	10	10