

Concealed ceiling installation box for recessed ceiling installation with light -

35 034 970

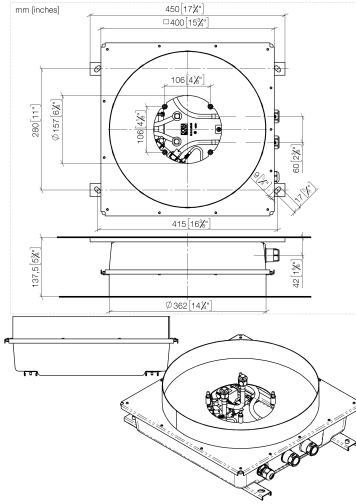


- concealed rough parts
- 2x female thread 1/2" connections
- flush-mounted reflection box Ø 360 mm RAL 9003 signal white
- Supply pipe 7 m
- Input 100-240V AC 50-60Hz
- Output 12V DC SELV / Class II
- ZigBee Light Link RGBW controller
- Provided by customer: Zigbee gateway
- For simultaneous control of the jet types, we recommend the xTool thermostat module
- Not suitable for use in a steam room.



Concealed ceiling installation box for recessed ceiling installation with light -

35 034 970



Codes & Standards

ASME A112.18.1

cUPC

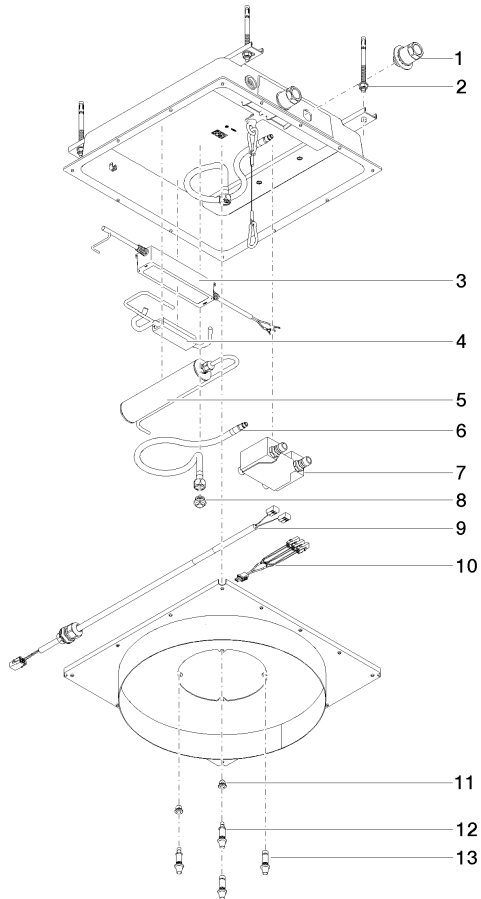
Certificates

IAPMO_4976

Concealed ceiling installation box for recessed ceiling installation with light -

35 034 970

Product version from 4/1/2022





Concealed ceiling installation box for recessed ceiling installation with light -

35 034 970

Spare parts list

Product version from 4/1/2022

No.	Item Number	Name	Quantity used	Delivery time
	90 24 03 306 00 90	connection	19	2