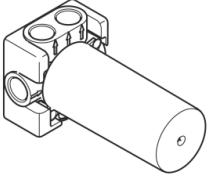


## Concealed three-way diverter -

---

35 104 970



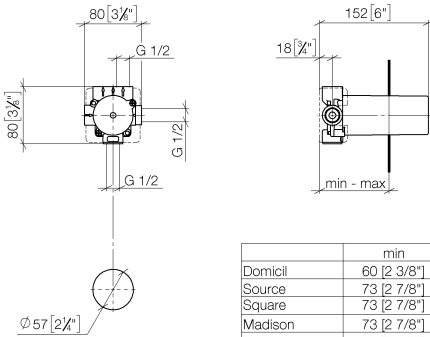
- red brass, lead-free
- 2x female thread 1/2" connections
- 3x female thread 1/2" outlet
- cut-to-length spindle and sleeve
- dust cover
- anti-water packing
- soundproofing



## Concealed three-way diverter -

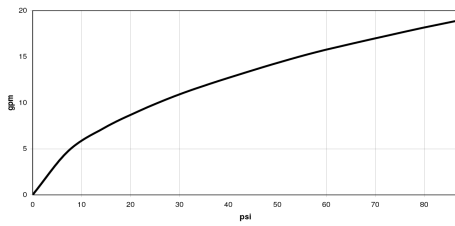
35 104 970

mm [inches]



	min	max
Domicil	60 [2 3/8"]	105 [4 1/8"]
Source	73 [2 7/8"]	123 [4 7/8"]
Square	73 [2 7/8"]	123 [4 7/8"]
Madison	73 [2 7/8"]	138 [5 3/8"]
LJLU	73 [2 7/8"]	146 [5 3/4"]
Madison Flair	73 [2 7/8"]	148 [5 7/8"]
Just	78 [3 1/8"]	148 [5 7/8"]
LaFleur	83 [3 1/4"]	148 [5 7/8"]
Supernova	83 [3 1/4"]	148 [5 7/8"]
Tara	83 [3 1/4"]	148 [5 7/8"]
Vaia	83 [3 1/4"]	148 [5 7/8"]
MEM	108 [4 1/4"]	148 [5 7/8"]
CL.1	108 [4 1/4"]	148 [5 7/8"]

### Flow rate chart



### Codes & Standards

ASME A112.18.1

ASME  
A112.18.1/CSA  
B125.1

California Energy  
Commission  
(CEC)

cUPC



## Concealed three-way diverter -

---

35 104 970

Certificates

---

IAPMO\_4976

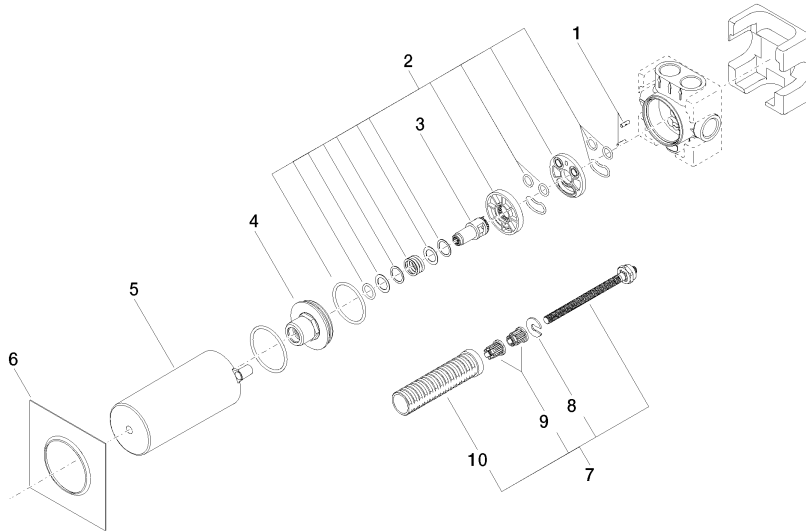


# Concealed three-way diverter -

35 104 970

Product version up to 5/15/2020

**Product version from 5/15/2020**





## Concealed three-way diverter -

---

35 104 970

### Spare parts list

Product version up to 5/15/2020

#### **Product version from 5/15/2020**

No.	Item Number	Name	Quantity used	Delivery time
	09 31 11 151 90	pin	12	2