



## xTOOL Concealed thermostat module with 3 valves -

---

35 547 970



- red brass, lead-free
- 2x back flow preventer
- integrated pre-seals
- 1/2" connection
- 3/4" (cold/hot) connection
- thermostat cartridge
- 2x head part with cut-to-length spindle and sleeve
- 3x dust cover
- 2x anti-water packing
- soundproofing
- gauge 120 mm

---

### Recommended miscellaneous

**Extension 28 mm -**

12 177 970 90



---

### Recommended miscellaneous

**Extension 46 mm -**

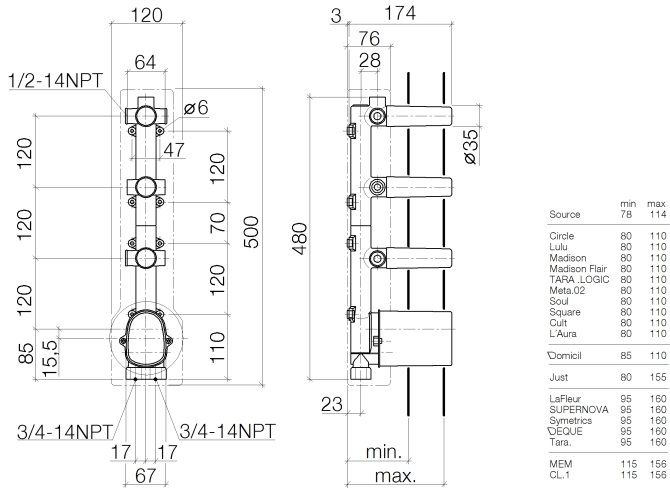
12 178 970 90



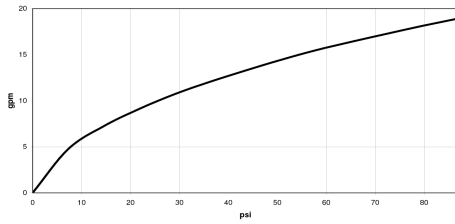


## xTOOL Concealed thermostat module with 3 valves -

35 547 970



### Flow rate chart



### Codes & Standards

ASME A112.18.1

cUPC



## xTOOL Concealed thermostat module with 3 valves -

---

35 547 970

Certificates

---

IAPMO\_4976

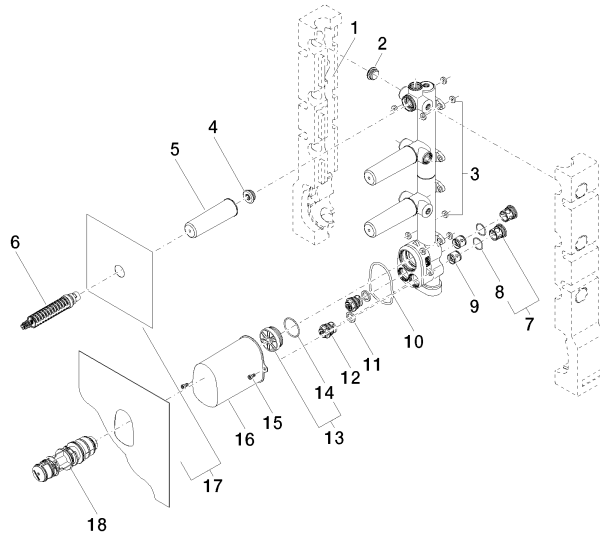
xTOOL Concealed thermostat module with 3 valves -

---

35 547 970

Product version up to 5/12/2021

**Product version from 5/12/2021**





## xTOOL Concealed thermostat module with 3 valves -

---

35 547 970

### Spare parts list

Product version up to 5/12/2021

### Product version from 5/12/2021

No.	Item Number	Name	Quantity used	Delivery time
	09 11 11 009 90	accessories	33	2