



xTOOL Concealed thermostat module with 3 valves -

35 549 970



- red brass, lead-free
- 2x female thread 3/4" connections
- 3x female thread 1/2" outlet
- 2x female thread 1/2" outlet for additional valves
- 4x anti-water packing
- 4x dust cover
- soundproofing
- suitable for xGRID (when using installation track + 12 mm recess depth)

Can only be combined with exposed trim parts 36 417 980-FF / 36 417 985-FF or 36 315 980-FF / 36 315 985-FF.

NOTE: Important for certain series!
Due to minimum rough-in requirements, a framing of 2x6 studs is needed.

Recommended miscellaneous

Extension 28 mm -

12 177 970 90



Recommended miscellaneous

Extension 46 mm -

12 178 970 90





xTOOL Concealed thermostat module with 3 valves -

35 549 970

Certificates

IAPMO_4976



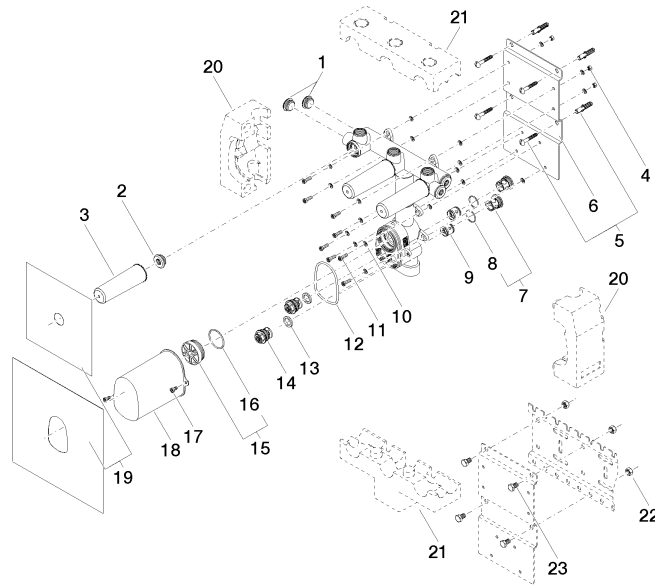
xTOOL Concealed thermostat module with 3 valves -

35 549 970

Product version up to 5/12/2021

Product version from 5/12/2021 to 11/25/2021

Product version from 1/1/2022





xTOOL Concealed thermostat module with 3 valves -

35 549 970

Spare parts list

Product version up to 5/12/2021

Product version from 5/12/2021 to 11/25/2021

Product version from 1/1/2022

No.	Item Number	Name	Quantity used	Delivery time
	04 31 20 062 10 90	plug	89	2