

## Concealed wall-mounted single-lever mixer -

---

35 860 970



- red brass, lead-free
- 2x supply connection 1/2" female thread (cold/hot), DN 15
- 1x female thread 1/2" outlet for wall spout
- 1x female thread 1/2" outlet
- 2x dust cover
- anti-water packing
- soundproofing
- gauge 100 mm

Rough can be rotated to position the lever on top or to the left of the spout.

### Recommended miscellaneous

---



**Extension 20 mm -**

12 869 970 90

- Not suitable for combining with META PURE (36 86X 664-FF).
- Not for combination with exposed trim parts 36 86X 664-FF0010

### Recommended miscellaneous

---



**Extension 20 mm -**

12 870 970 90

- Can only be combined with exposed trim parts 36 86X 664-FF.

### Recommended miscellaneous

---



**Adapter for reversed water connections -**

12 880 970 90

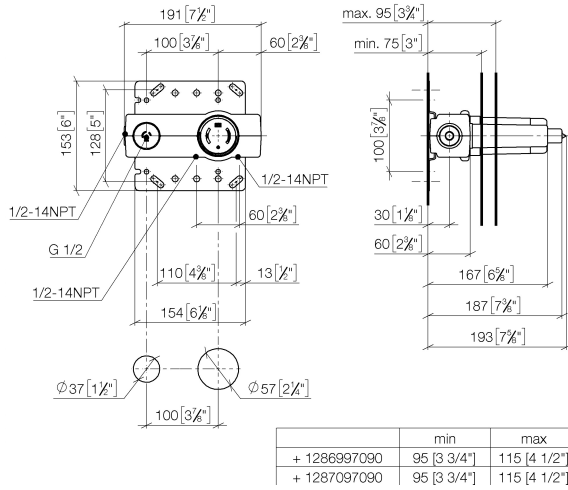
- Not suitable for combining with META PURE (36 86X 664-FF).



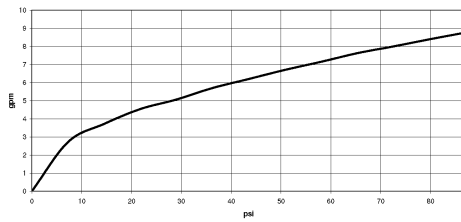
## Concealed wall-mounted single-lever mixer -

35 860 970

mm [inches]



## Flow rate chart



## Codes & Standards

ASME  
A112.18.1/CSA  
B125.1



## Concealed wall-mounted single-lever mixer -

---

35 860 970

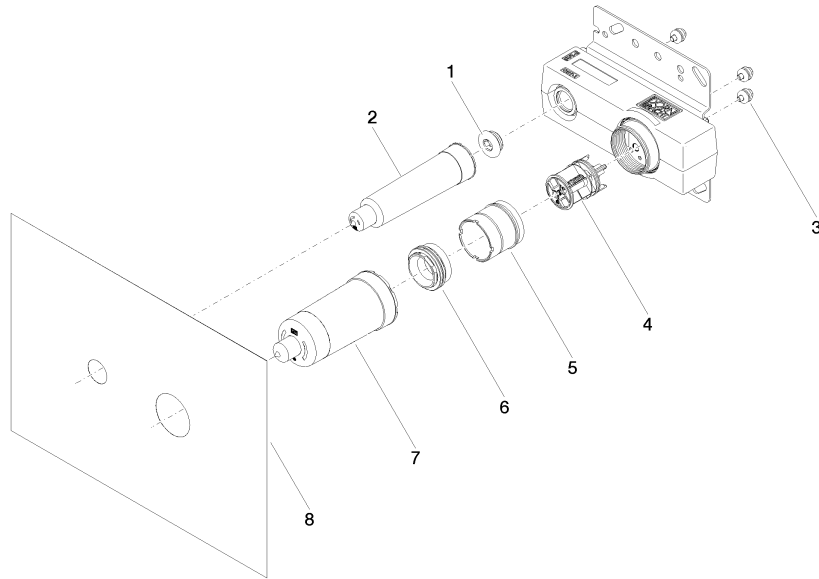
### Certificates

---

IAPMO\_N-4976 (2). IAPMO\_6397 (2). IAPMO\_4976 (1).

**Concealed wall-mounted single-lever mixer -**

35 860 970



**Spare parts list**

No.	Item Number	Name	Quantity used	Delivery time
1	04 31 20 006 00 90	plug	1	2
2	09 21 02 182 90	cap	1	2
3	90 23 01 091 00 90	set	3	2
4	90 31 20 107 00 90	plug	1	2
5	90 17 01 238 00 90	sleeve	1	2
6	90 24 04 349 00 90	threaded connector	1	2
7	09 21 02 176 90	cap	1	60
8	04 14 03 074 01 90	gasket kit	1	2