

**CL.1 Concealed two-way diverter - Brushed Dark Platinum**

CL.1

36 201 705



- with WAVES structure
- rotary diverter
- rosette 60 x 60 mm
- with shut-off function

	Brushed Dark Platinum	36 201 705-99 0010
	Chrome	36 201 705-00 0010
	Brushed Platinum	36 201 705-06 0010
	Dark Chrome	36 201 705-19 0010
	Brushed Champagne (22kt Gold)	36 201 705-46 0010
	Champagne (22kt Gold)	36 201 705-47 0010

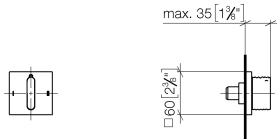
**Required miscellaneous**



- |                                     |               |
|-------------------------------------|---------------|
| <b>Concealed two-way diverter -</b> | 35 202 970-90 |
| • max. recess depth 160 mm          | 0010          |
| • min. recess depth 115 mm          |               |

36 201 705

mm [inches]



### Flow rate chart



### Codes & Standards

California Energy  
Commission  
(CEC)



## CL.1 Concealed two-way diverter - Brushed Dark Platinum

---

CL.1

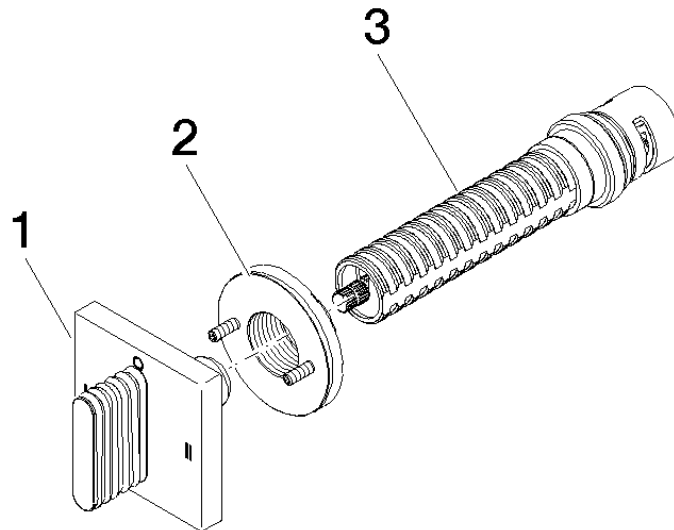
36 201 705

### Certificates

---

IAPMO\_4976 (7).

36 201 705



Spare parts list

No.	Item Number	Name	Quantity used	Delivery time
1	90 20 70 055 09-99	handle	1	30
2	90 21 02 181 00 90	disc	1	2
3	90 90 03 306 10 90	diverter	1	2