


CL.1 Concealed two-way diverter - Dark Chrome

CL.1

36 202 705

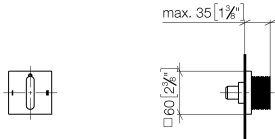


- with CASCADE structure
- rotary diverter
- rosette 60 x 60 mm
- with shut-off function

	Dark Chrome	36 202 705-19 0010
	Chrome	36 202 705-00 0010
	Brushed Platinum	36 202 705-06 0010
	Brushed Champagne (22kt Gold)	36 202 705-46 0010
	Champagne (22kt Gold)	36 202 705-47 0010
	Brushed Dark Platinum	36 202 705-99 0010

36 202 705

mm [inches]



Flow rate chart

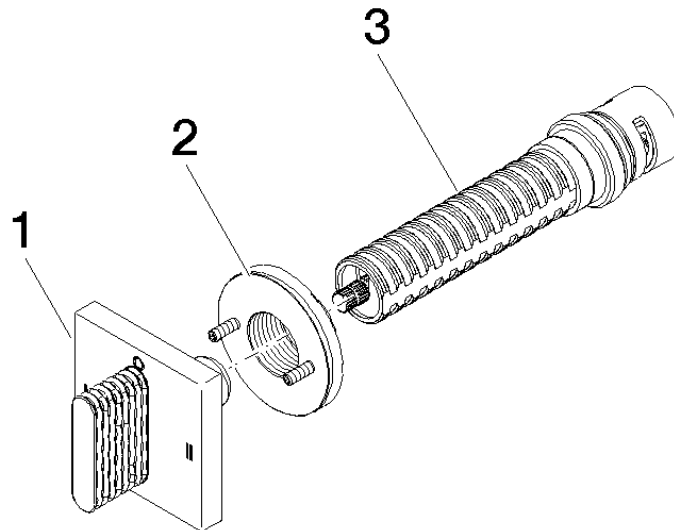


Codes & Standards

California Energy
Commission
(CEC)

36 202 705

Parts for other finishes can be found here: [Chrome](#)



Spare parts list

No.	Item Number	Name	Quantity used	Delivery time
1	90 20 70 053 09-19	handle	1	20
2	90 21 02 181 00 90	disc	1	2
3	90 90 03 306 10 90	diverter	1	2