

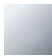


**CL.1 Concealed three-way diverter - Chrome**

CL.1

36 211 705



- with WAVES structure
- rotary diverter
- rosette 60 x 60 mm

	Chrome	36 211 705-00 0010
	Brushed Platinum	36 211 705-06 0010
	Dark Chrome	36 211 705-19 0010
	Brushed Champagne (22kt Gold)	36 211 705-46 0010
	Champagne (22kt Gold)	36 211 705-47 0010
	Brushed Dark Platinum	36 211 705-99 0010

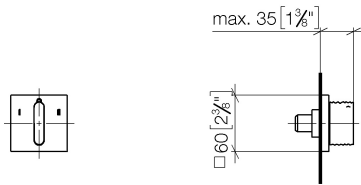
**Required miscellaneous**



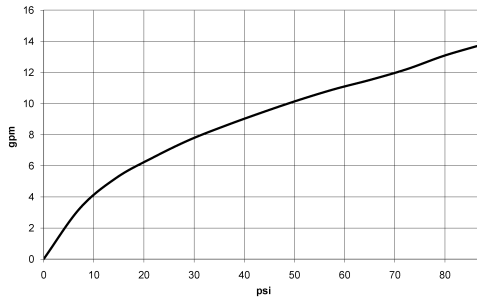
- |                                       |               |
|---------------------------------------|---------------|
| <b>Concealed three-way diverter -</b> | 35 203 970-90 |
| •max. recess depth 160 mm             | 0010          |
| •min. recess depth 115 mm             |               |

36 211 705

mm [inches]



Flow rate chart



Codes & Standards

California Energy  
Commission  
(CEC)



## CL.1 Concealed three-way diverter - Chrome

---

CL.1

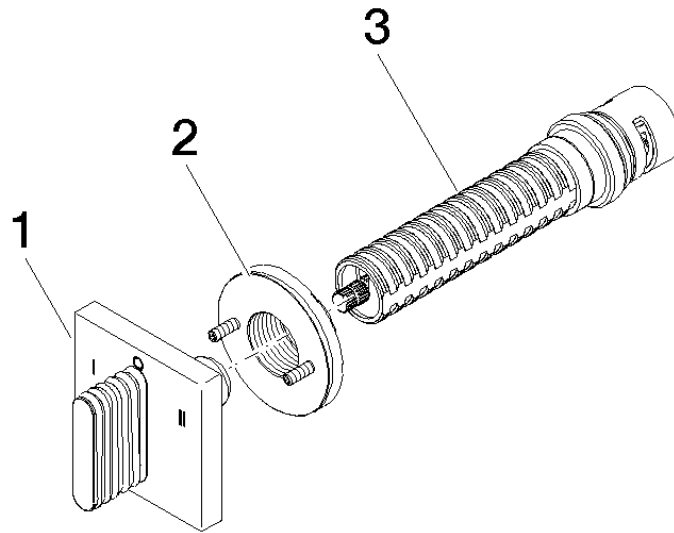
36 211 705

### Certificates

---

IAPMO\_4976 (7).

36 211 705



### Spare parts list

No.	Item Number	Name	Quantity used	Delivery time
1	90 20 70 055 11-00	handle	1	10
2	90 21 02 181 00 90	disc	1	2
3	90 90 03 305 10 90	diverter	1	2