

CL.1 Wall valve - Champagne (22kt Gold)


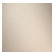
CL.1

36 310 715



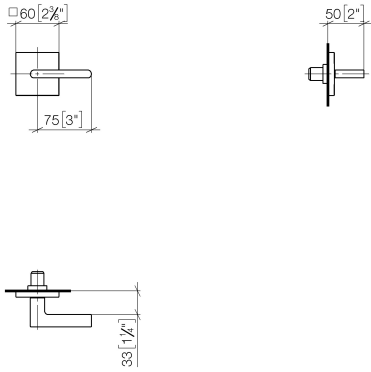
- rosette 60 x 60 mm

Note: Important! The minimum recess depths make it necessary to have a wall of 2 x 6 crosspieces.

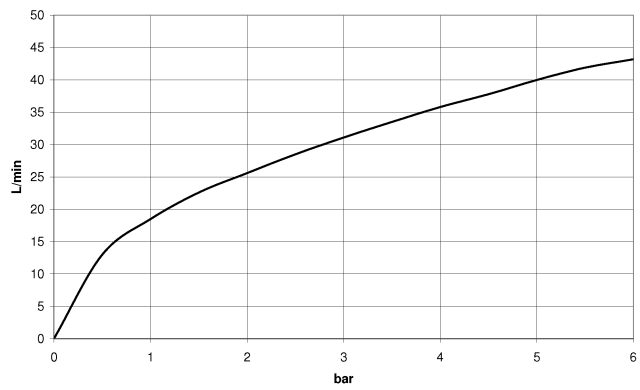
	Champagne (22kt Gold)	36 310 715-47
	Brushed Champagne (22kt Gold)	36 310 715-46

36 310 715

mm [inches]



Flow rate chart



36 310 715

Parts for other
finishes can be found
here: Brushed
Champagne (22kt
Gold)

