

36 416 710



- cover plate 120 x 120 mm
- temperature control handle with safety limit stop at 38°C



Chrome

36 416 710-00



Brushed Platinum

36 416 710-06

Required miscellaneous

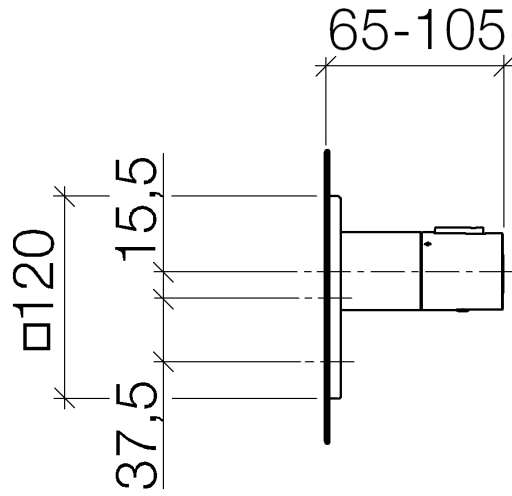


xTOOL Concealed thermostat module -

35 517 970-90
0010

- min. recess depth 80 mm
- max. recess depth 110 mm

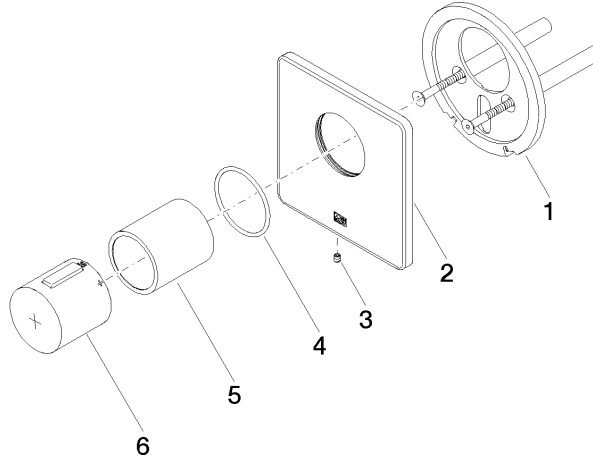
36 416 710



Certificates

IAPMO_4976 (5).

36 416 710



Spare parts list

No.	Item Number	Name	Quantity used	Delivery time
1	90 11 01 196 00 90	base	1	2
2	09 11 02 541-00	cover	1	10
3	09 31 11 044 90	pin	1	2
4	90 14 10 049 00 90	seal	1	2
5	90 21 02 112 00-00	sleeve	1	10
6	90 17 33 017 00-00	handle	1	10