

36 416 780



Fits: IMO, MEM, CL.1

- cover plate 120 x 120 mm
  - temperature control handle with safety limit stop at 38°C
- Note: Important! The minimum recess depths make it necessary to have a wall of 2 x 6 crosspieces.**

Note: Important! The minimum recess depths make it necessary to have a wall of 2 x 6 crosspieces.

	Dark Bronze matt	36 416 780-17
	Chrome	36 416 780-00
	Brushed Platinum	36 416 780-06
	Platinum	36 416 780-08
	Dark Chrome	36 416 780-19
	Brushed Durabronze (23kt Gold)	36 416 780-28
	Matte Black	36 416 780-33
	Brushed Champagne (22kt Gold)	36 416 780-46
	Champagne (22kt Gold)	36 416 780-47
	Cyprus	36 416 780-49
	Brushed Chrome	36 416 780-93
	Brushed Dark Platinum	36 416 780-99

Required miscellaneous

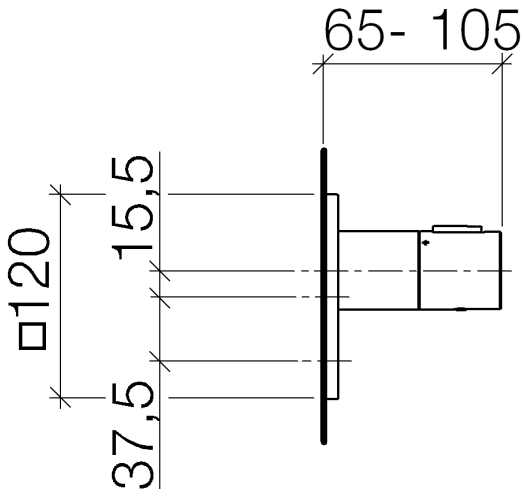


**xTOOL Concealed thermostat module -**

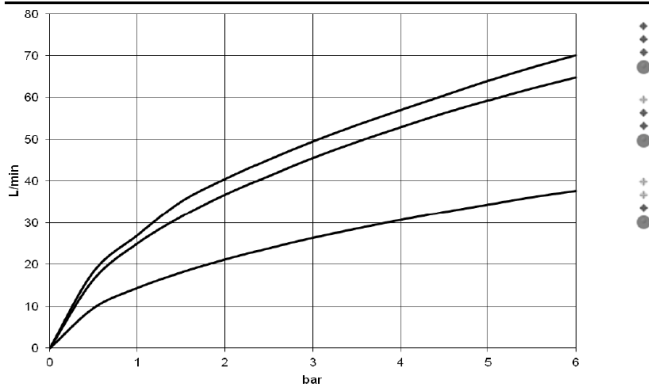
35 517 970-90  
0010

- max. recess depth 156 mm
- min. recess depth 80 mm

36 416 780



Flow rate chart

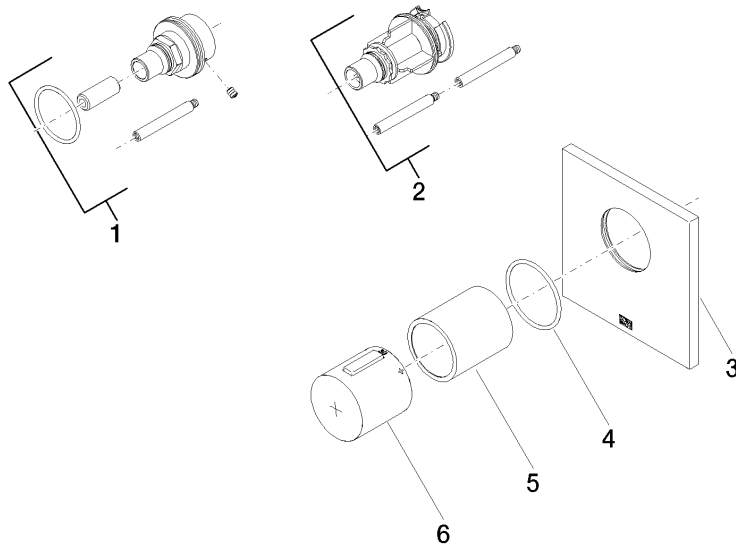


36 416 780

Product version up to 2/2/2021

Product version from 11/25/2021 to 1/1/2022

**Product version from 6/30/2022 to 11/25/2021**





xTOOL Concealed thermostat without volume control - Dark Bronze matt

IMO

36 416 780

Spare parts list

Product version up to 2/2/2021

Product version from 11/25/2021 to 1/1/2022

**Product version from 6/30/2022 to 11/25/2021**

No.	Item Number	Name	Quantity used	Delivery time
	12 177 970 90	Extension 28 mm -	6	2