

36 416 780



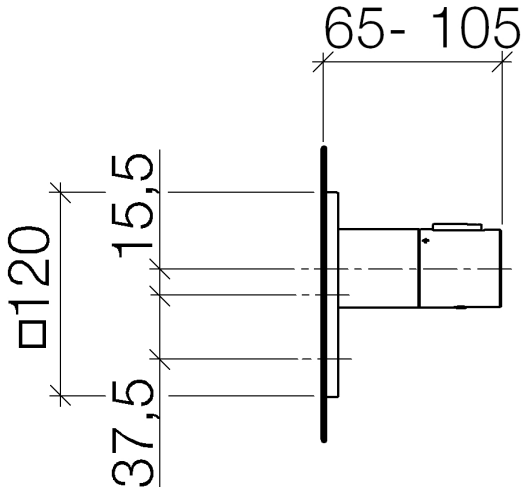
Fits: IMO, MEM, CL.1

- cover plate 120 x 120 mm
- temperature control handle with safety limit stop at 38°C

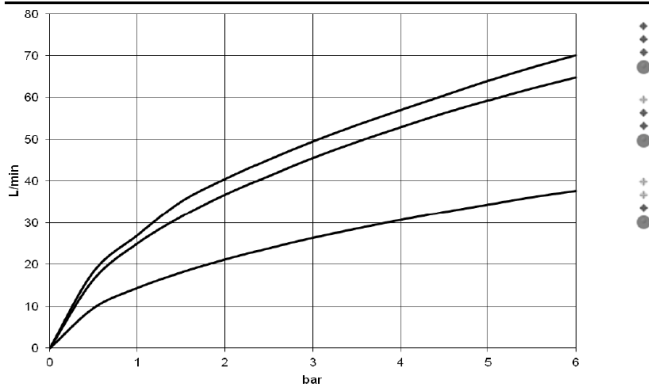
Note: Important! The minimum recess depths make it necessary to have a wall of 2 x 6 crosspieces.

	Dark Chrome	36 416 780-19
	Chrome	36 416 780-00
	Brushed Platinum	36 416 780-06
	Platinum	36 416 780-08
	Brushed Durabronze (23kt Gold)	36 416 780-28
	Matte Black	36 416 780-33
	Brushed Champagne (22kt Gold)	36 416 780-46
	Champagne (22kt Gold)	36 416 780-47
	Cyprium	36 416 780-49
	Brushed Chrome	36 416 780-93
	Brushed Dark Platinum	36 416 780-99

36 416 780

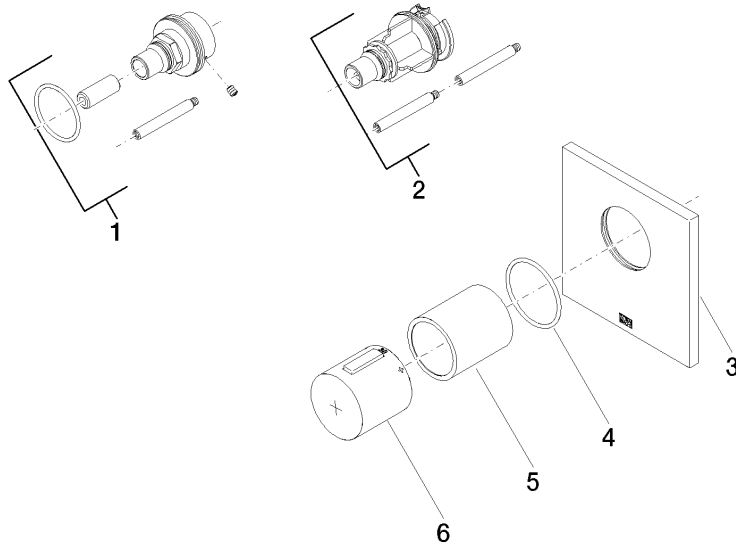


Flow rate chart



36 416 780

Parts for other finishes can be found here: [Chrome](#)





36 416 780

## Spare parts list