

xTOOL Concealed thermostat without volume control - Champagne (22kt Gold)

MEM


36 416 780



- cover plate 120 x 120 mm
 - temperature control handle with safety limit stop at 38°C
- Note: Important! The minimum recess depths make it necessary to have a wall of 2 x 6 crosspieces.**

Note: Important! The minimum recess depths make it necessary to have a wall of 2 x 6 crosspieces.

Fits: MEM, CL.1

	Champagne (22kt Gold)	36 416 780-47
	Chrome	36 416 780-00
	Brushed Platinum	36 416 780-06
	Platinum	36 416 780-08
	Dark Chrome	36 416 780-19
	Brushed Durabronze (23kt Gold)	36 416 780-28
	Matte Black	36 416 780-33
	Brushed Champagne (22kt Gold)	36 416 780-46
	Cyprus	36 416 780-49
	Brushed Chrome	36 416 780-93
	Brushed Dark Platinum	36 416 780-99

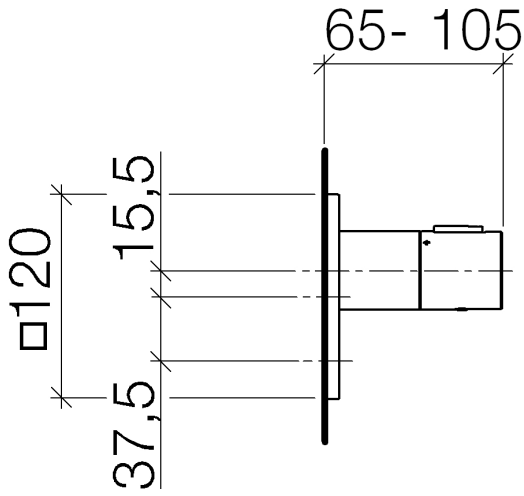
Required miscellaneous



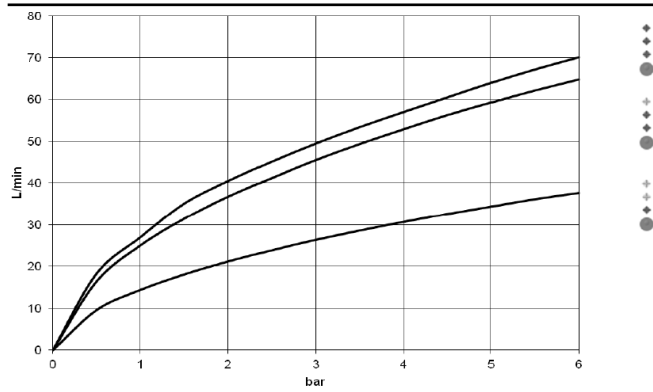
xTOOL Concealed thermostat module - 35 517 970-90
0010

- max. recess depth 156 mm
- min. recess depth 80 mm

36 416 780



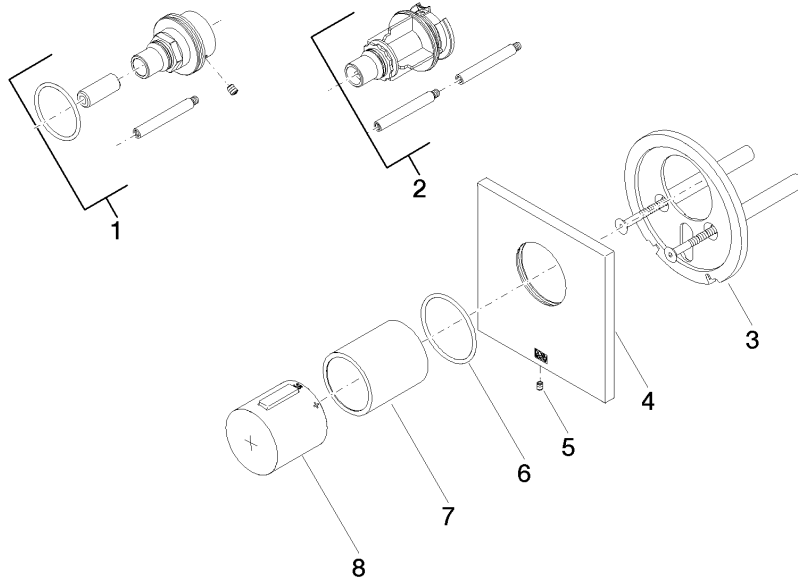
Flow rate chart



Certificates

IAPMO_4976 (5).

36 416 780



Spare parts list

No.	Item Number	Name	Quantity used	Delivery time
1	12 177 970 90	Extension 28 mm -	1	2
2	12 178 970 90	Extension 46 mm -	1	2
3	90 11 01 196 00 90	base	1	2
4	90 11 02 533 00-47	cover	1	30
5	09 31 11 044 90	pin	1	2
6	90 14 10 049 00 90	seal	1	2
7	90 21 02 112 00-47	sleeve	1	30
8	90 17 33 017 00-47	handle	1	30