

36 416 892



- cover plate Ø 124 mm
- temperature control handle with safety limit stop at 38°C

	Chrome	36 416 892-00
	Brushed Platinum	36 416 892-06
	Platinum	36 416 892-08
	Brushed Durabrass (23kt Gold)	36 416 892-28
	Matte Black	36 416 892-33
	Brushed Champagne (22kt Gold)	36 416 892-46
	Champagne (22kt Gold)	36 416 892-47
	Brushed Chrome	36 416 892-93
	Brushed Dark Platinum	36 416 892-99

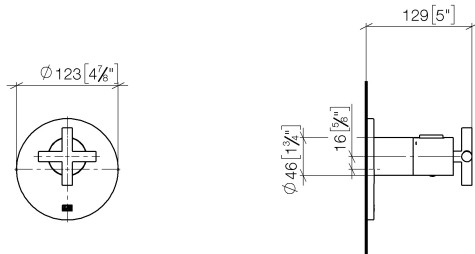
Required miscellaneous



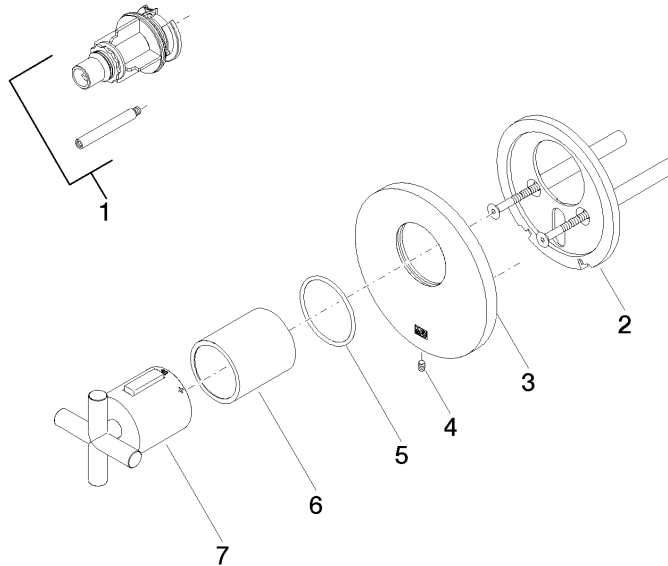
- xTOOL Concealed thermostat module -** 35 517 970-90 0010
- max. recess depth 156 mm
 - min. recess depth 80 mm

36 416 892

mm [inches]



36 416 892



Spare parts list

No.	Item Number	Name	Quantity used	Delivery time
1	12 178 970 90	Extension 46 mm -	1	2
2	90 11 01 196 00 90	base	1	2
3	09 11 02 537-00	cover	1	10
4	09 31 11 048 90	pin	1	2
5	90 14 10 049 00 90	seal	1	2
6	90 21 02 112 00-00	sleeve	1	10
7	90 17 33 027 00-00	handle	1	10