







MADISON xTOOL Concealed thermostat without volume control - Brushed Platinum

MADISON

36 416 977



- cover plate Ø 124 mm
- temperature control handle with safety limit stop at 38°C

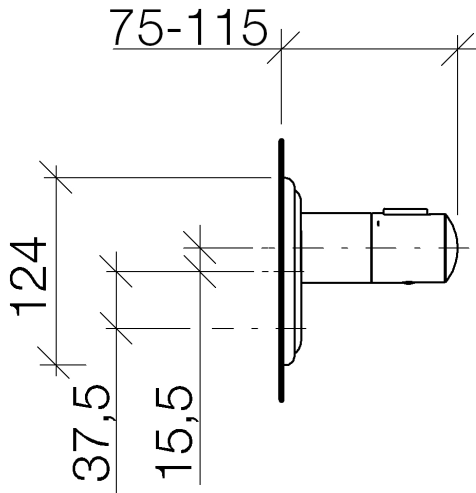
	Brushed Platinum	36 416 977-06
	Chrome	36 416 977-00
	Platinum	36 416 977-08
	Durabress (23kt Gold)	36 416 977-09
	Brushed Durabress (23kt Gold)	36 416 977-28
	Brushed Dark Platinum	36 416 977-99

Required miscellaneous



xTOOL Concealed thermostat module - 35 517 970-90
 0010
 •max. recess depth 110 mm
 •min. recess depth 80 mm

36 416 977



Codes & Standards

ASME A112.18.1

cUPC

Certificates

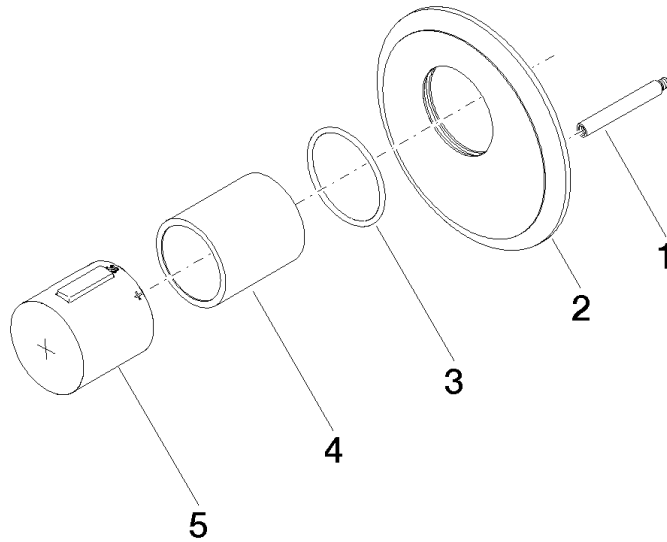
IAPMO_4976

36 416 977

Product version up to 2/2/2021

Product version from 1/1/2022

Product version from 6/30/2022 to 11/25/2021





MADISON xTOOL Concealed thermostat without volume control - Brushed
Platinum

MADISON

36 416 977

Spare parts list

Product version up to 2/2/2021

Product version from 1/1/2022

Product version from 6/30/2022 to 11/25/2021

No.	Item Number	Name	Quantity used	Delivery time
	90 31 09 095 00 90	bar	5	2