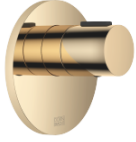


36 416 979

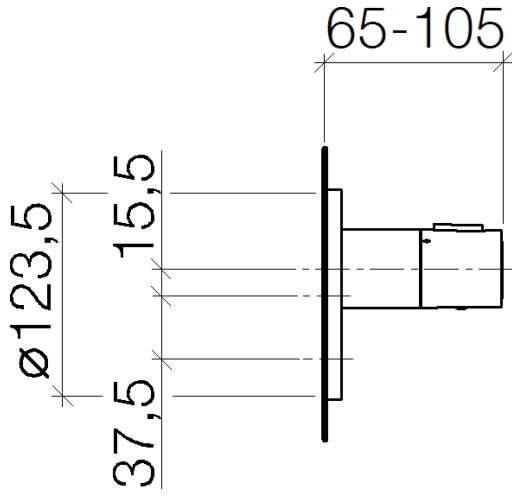


Fits: TARA, VAIA, META

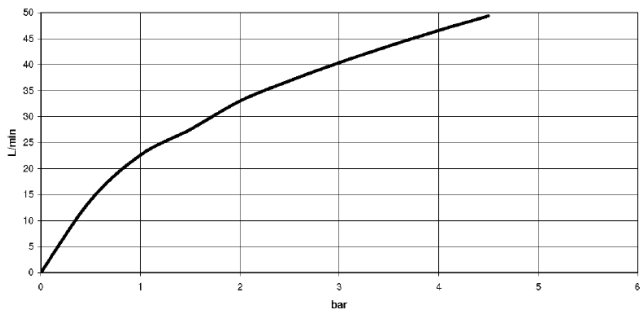
- cover plate Ø 124 mm
- temperature control handle with safety limit stop at 38°C

	Durabronz (23kt Gold)	36 416 979-09
	Chrome	36 416 979-00
	Brushed Platinum	36 416 979-06
	Platinum	36 416 979-08
	Dark Chrome	36 416 979-19
	Light Gold	36 416 979-26
	Brushed Light Gold	36 416 979-27
	Matte Black	36 416 979-33
	Brushed Bronze	36 416 979-42
	Brushed Champagne (22kt Gold)	36 416 979-46
	Champagne (22kt Gold)	36 416 979-47
	Cyprus	36 416 979-49
	Brushed Chrome	36 416 979-93
	Brushed Dark Platinum	36 416 979-99

36 416 979



Flow rate chart



Codes & Standards

ASME A112.18.1

cUPC



xTOOL Concealed thermostat without volume control - Durabronz (23kt Gold)

---

TARA

36 416 979

Certificates

---

IAPMO\_4976

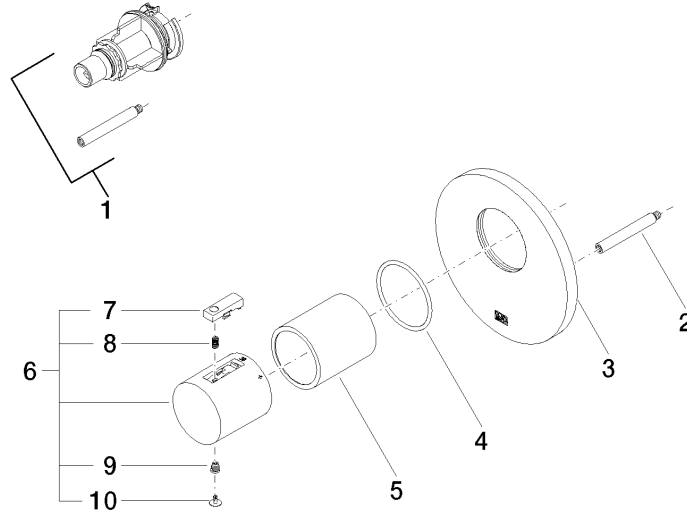
36 416 979

Product version up to 2/2/2021

Product version from 1/1/2022

**Product version from 6/30/2022 to 11/25/2021**

Parts for other  
finishes can be found  
here: Chrome





xTOOL Concealed thermostat without volume control - Durabrass (23kt Gold)

TARA

36 416 979

Spare parts list

Product version up to 2/2/2021

Product version from 1/1/2022

**Product version from 6/30/2022 to 11/25/2021**

No.	Item Number	Name	Quantity used	Delivery time
	12 178 970 90	Extension 46 mm -	10	2