

36 416 979

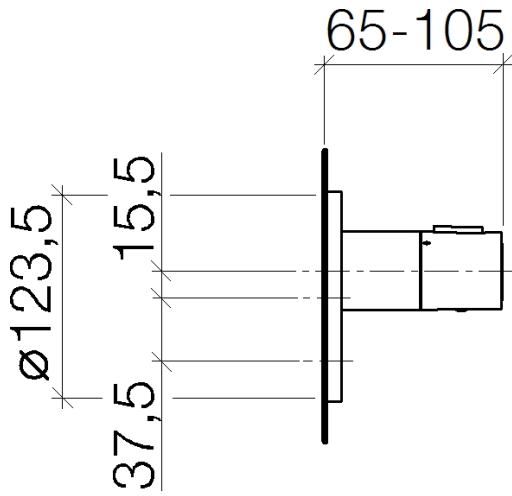


- cover plate Ø 124 mm
- temperature control handle with safety limit stop at 38°C

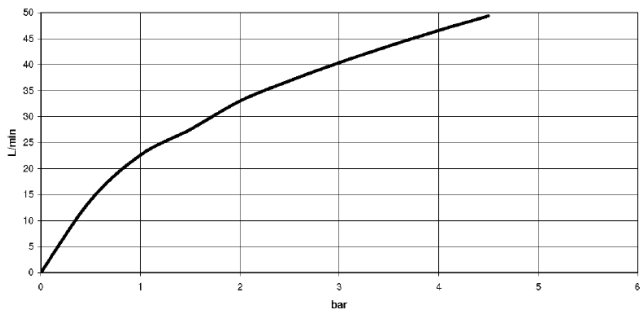
Fits: TARA, VAIA, META

| | | |
|--|-------------------------------|---------------|
|  | Dark Chrome | 36 416 979-19 |
|  | Chrome | 36 416 979-00 |
|  | Brushed Platinum | 36 416 979-06 |
|  | Platinum | 36 416 979-08 |
|  | Durabronze (23kt Gold) | 36 416 979-09 |
|  | Light Gold | 36 416 979-26 |
|  | Brushed Light Gold | 36 416 979-27 |
|  | Matte Black | 36 416 979-33 |
|  | Brushed Bronze | 36 416 979-42 |
|  | Brushed Champagne (22kt Gold) | 36 416 979-46 |
|  | Champagne (22kt Gold) | 36 416 979-47 |
|  | Cyprus | 36 416 979-49 |
|  | Brushed Chrome | 36 416 979-93 |
|  | Brushed Dark Platinum | 36 416 979-99 |

36 416 979

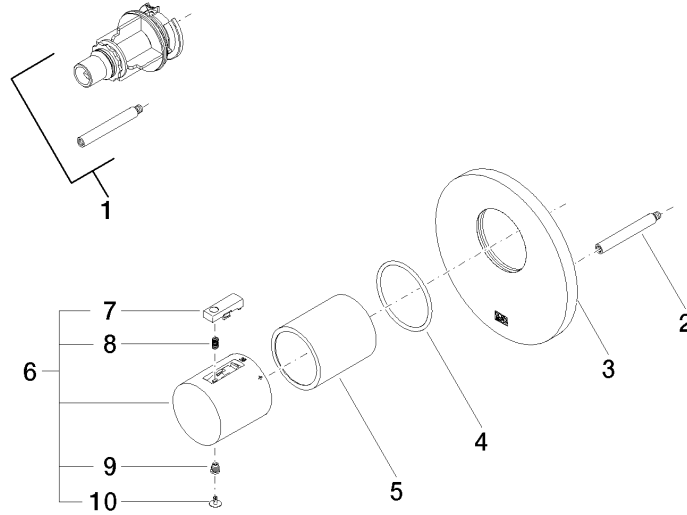


Flow rate chart



36 416 979

Parts for other finishes can be found here: [Chrome](#)





Spare parts list