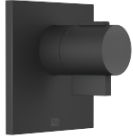


SYMETRICS xTOOL Concealed thermostat without volume control - Matte Black

MEM

36 416 985 Product version from 1/1/2022



- cover plate 120 x 120 mm
 - temperature control handle with safety limit stop at 38°C
- Note: Important! The minimum recess depths make it necessary to have a wall of 2 x 6 crosspieces.**

Note: Important! The minimum recess depths make it necessary to have a wall of 2 x 6 crosspieces.

Fits: MEM, CL.1

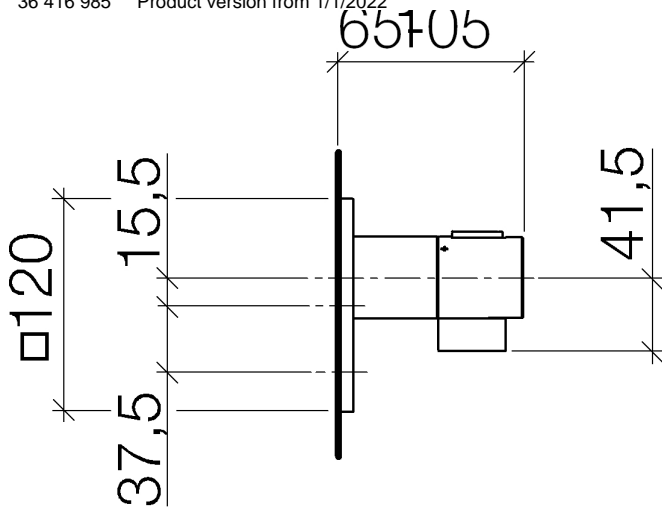
	Matte Black	36 416 985-33
	Chrome	36 416 985-00
	Brushed Platinum	36 416 985-06
	Platinum	36 416 985-08
	Dark Chrome	36 416 985-19
	Brushed Durabronze (23kt Gold)	36 416 985-28
	Brushed Champagne (22kt Gold)	36 416 985-46
	Champagne (22kt Gold)	36 416 985-47
	Brushed Dark Platinum	36 416 985-99

Required miscellaneous

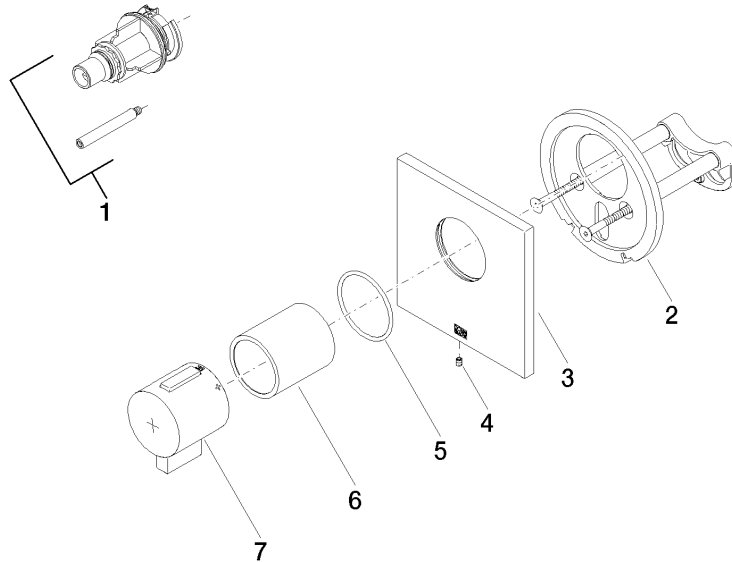


- xTOOL Concealed thermostat module -** 35 517 970-90 0010
- min. recess depth mm
 - max. recess depth mm

36 416 985 Product version from 1/1/2022



36 416 985 Product version from 1/1/2022



Spare parts list

No.	Item Number	Name	Quantity used	Delivery time
1	12 178 970 90	Extension 46 mm -	1	2
2	90 11 01 196 00 90	base	1	2
3	90 11 02 533 00-33	cover	1	30
4	09 31 11 044 90	pin	1	2
5	90 14 10 049 00 90	seal	1	2
6	90 21 02 112 00-33	sleeve	1	30
7	90 17 33 019 00-33	handle	1	30