

Wall valve clockwise closing cold 1/2" - Champagne (22kt Gold)

CL.1

36 607 741




- without rosette
- handle Ø 60mm
- with cold marking
- head part with cut-to-length spindle and sleeve

Fits: CL.1, CYO

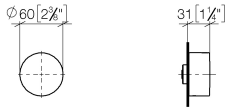
	Champagne (22kt Gold)	36 607 741-47
	Chrome	36 607 741-00
	Brushed Platinum	36 607 741-06
	Dark Chrome	36 607 741-19
	Brushed Durabronze (23kt Gold)	36 607 741-28
	Matte Black	36 607 741-33
	Brushed Champagne (22kt Gold)	36 607 741-46
	Brushed Dark Platinum	36 607 741-99

Required miscellaneous

	<p><b>Wall valve 1/2" -</b></p> <ul style="list-style-type: none"> <li>• max. recess depth 145 mm</li> <li>• min. recess depth 85 mm</li> </ul>	35 607 970-90 0010
---	---	-----------------------

36 607 741

mm [inches]



#### Codes & Standards

---

ASME  
A112.18.1/CSA  
B125.1

#### Certificates

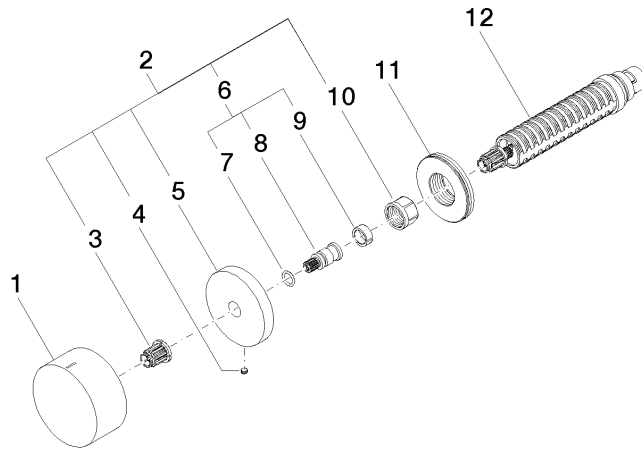
---

LGA\_38107.

LGA\_29931.

WRAS\_2010066.

36 607 741



### Spare parts list

No.	Item Number	Name	Quantity used	Delivery time
1	09 20 74 020-47	handle ( cold )	1	60
2	04 27 74 004 00-47	rosette	1	60
3	90 12 12 002 00 90	fixing cap	1	2
4	09 31 11 055 90	pin	1	2
5	09 27 74 004-47	rosette	1	60
6	04 29 06 020 00-00	spindle	1	10
7	90 14 10 060 00 90	seal	1	2
8	09 29 06 020-47	spindle	1	-
Spare part can no longer be ordered, please order the replacement item				
9	90 14 15 020 03 90	ring	1	2
10	90 23 30 023 00 90	nut	1	2
11	09 30 01 107 90	sleeve	1	2
12	90 90 03 143 00 90	top	1	2