

Wall valve anti-clockwise closing hot 1/2" - Chrome

CL.1

36 607 742




- without rosette
- handle Ø 60mm
- with hot marking
- head part with cut-to-length spindle and sleeve

Fits: CL.1, CYO

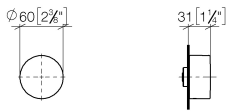
	Chrome	36 607 742-00
	Brushed Platinum	36 607 742-06
	Dark Chrome	36 607 742-19
	Brushed Durabronze (23kt Gold)	36 607 742-28
	Matte Black	36 607 742-33
	Brushed Champagne (22kt Gold)	36 607 742-46
	Champagne (22kt Gold)	36 607 742-47
	Brushed Dark Platinum	36 607 742-99

Required miscellaneous

	<p><b>Wall valve 1/2" -</b></p> <ul style="list-style-type: none"> <li>• max. recess depth 145 mm</li> <li>• min. recess depth 85 mm</li> </ul>	35 607 970-90 0010
--	---	-----------------------

36 607 742

mm [inches]



#### Codes & Standards

ASME  
A112.18.1/CSA  
B125.1

#### Certificates

DVGW\_DW-  
6501DN0116.

LGA\_38107.

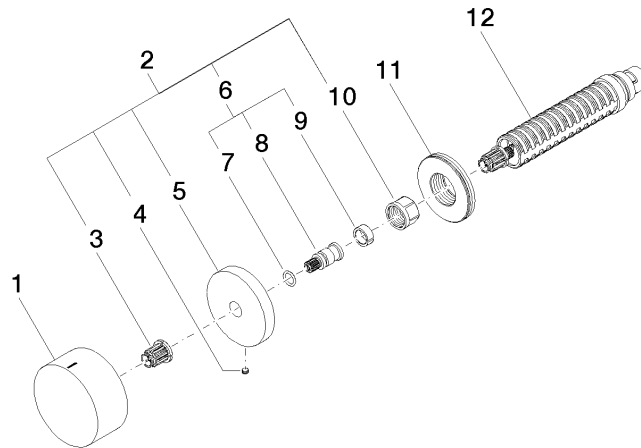
IAPMO\_4976 (1).

LGA\_29931.

WRAS\_2010066.

LGA\_29932.

36 607 742



### Spare parts list

No.	Item Number	Name	Quantity used	Delivery time
1	09 20 74 021-00	handle ( hot )	1	10
2	04 27 74 004 00-00	rosette	1	10
3	90 12 12 002 00 90	fixing cap	1	2
4	09 31 11 055 90	pin	1	2
5	09 27 74 004-00	rosette	1	10
6	04 29 06 020 00-00	spindle	1	10
7	90 14 10 060 00 90	seal	1	2
8	09 29 06 020-00	spindle	1	10
9	90 14 15 020 03 90	ring	1	2
10	90 23 30 023 00 90	nut	1	2
11	09 30 01 107 90	sleeve	1	2
12	90 90 03 142 00 90	top	1	2