

Wall valve anti-clockwise closing hot 1/2" - Chrome


CL.1

36 607 742



- without rosette
- handle Ø 60mm
- with hot marking
- head part with cut-to-length spindle and sleeve
- WRAS 2010066

Fits: CL.1, CYO

	Chrome	36 607 742-00
	Brushed Platinum	36 607 742-06
	Dark Chrome	36 607 742-19
	Brushed Durabronze (23kt Gold)	36 607 742-28
	Matte Black	36 607 742-33
	Brushed Champagne (22kt Gold)	36 607 742-46
	Champagne (22kt Gold)	36 607 742-47
	Brushed Dark Platinum	36 607 742-99

Required miscellaneous



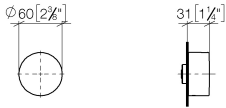
Wall valve 1/2" -

- max. recess depth 145 mm
- min. recess depth 85 mm

35 607 970-90
0010

36 607 742

mm [inches]



Codes & Standards

ASME A112.18.1	ASME A112.18.1/CSA B125.1	cUPC	DIN 4109
EN 200	ISO 3822	Scottish Water Byelaws	UK Water Supply Regulations

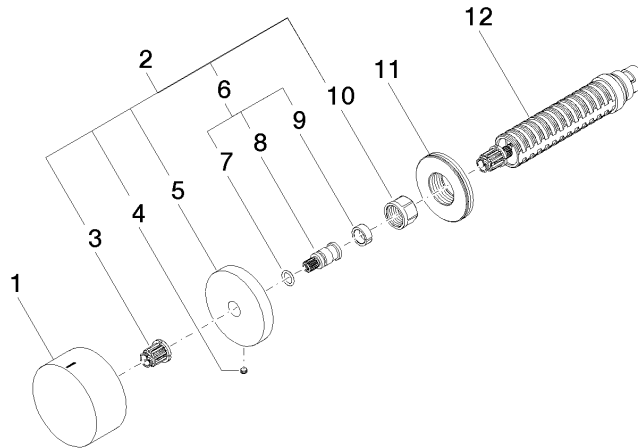
Ü-Zeichen

Certificates

IAPMO_4976	DVGW_DW- 6501DN0	WRAS_2010	LGA_38	LGA_29
LGA_29				

36 607 742

Product version from 7/1/2023





Wall valve anti-clockwise closing hot 1/2" - Chrome

CL.1

36 607 742

Spare parts list

Product version from 7/1/2023

No.	Item Number	Name	Quantity used	Delivery time
	09 20 74 021-00	handle (hot)	12	10