

MEM Wall valve clockwise closing 1/2" - Chrome

MEM

36 607 782

- rosette 60 x 60 mm
- head part with cut-to-length spindle and sleeve



	Chrome	36 607 782-00
	Brushed Platinum	36 607 782-06
	Platinum	36 607 782-08
	Dark Chrome	36 607 782-19
	Brushed Durabronze (23kt Gold)	36 607 782-28
	Brushed Champagne (22kt Gold)	36 607 782-46
	Champagne (22kt Gold)	36 607 782-47
	Brushed Chrome	36 607 782-93
	Brushed Dark Platinum	36 607 782-99

Required miscellaneous



- Wall valve 1/2" -** 35 607 970-90
 •max. recess depth 150 mm 0010
 •min. recess depth 105 mm

36 607 782

mm [inches]



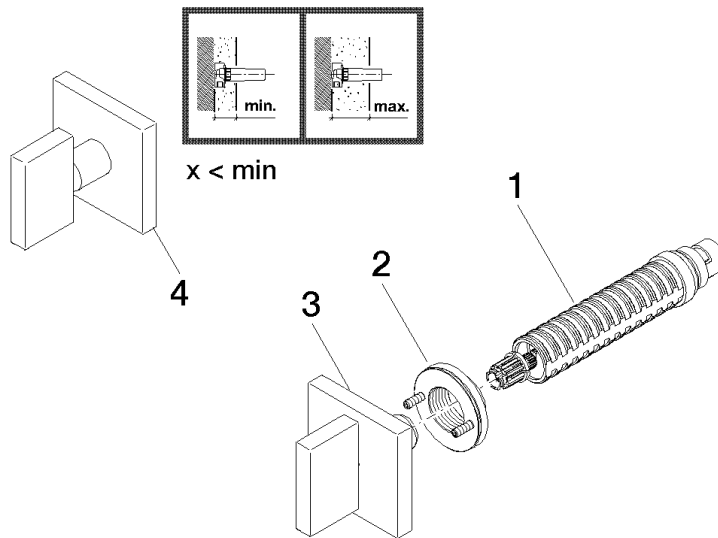
Codes & Standards

<p>ADA</p>	<p>ASME A112.18.1/CSA B125.1</p>
------------	--

Certificates

<p>DVGW_DW- 6501DN0116.</p>	<p>WRAS_2011026.</p>	<p>IAPMO_4976 (1).</p>	<p>LGA_29931.</p>	<p>WRAS_2010066.</p>
<p>DVGW_DW- 6512DN0706.</p>	<p>LGA_29932.</p>			

36 607 782



Spare parts list

No.	Item Number	Name	Quantity used	Delivery time
1	90 90 03 143 00 90	top	1	2
2	90 21 02 108 00 90	disc	1	2
3	90 20 78 002 02-00	handle	1	2
4	90 20 78 002 01-00	handle	1	10