

MEM Wall valve clockwise closing 1/2" - Brushed Dark Platinum

MEM


36 607 782



- rosette 60 x 60 mm
- head part with cut-to-length spindle and sleeve
- WRAS 2011026, 2010066

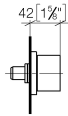
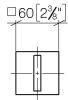
	Brushed Dark Platinum	36 607 782-99
	Chrome	36 607 782-00
	Brushed Platinum	36 607 782-06
	Platinum	36 607 782-08
	Dark Chrome	36 607 782-19
	Brushed Durabress (23kt Gold)	36 607 782-28
	Brushed Champagne (22kt Gold)	36 607 782-46
	Champagne (22kt Gold)	36 607 782-47
	Brushed Chrome	36 607 782-93

Required miscellaneous

	Wall valve 1/2" - •max. recess depth 150 mm •min. recess depth 105 mm	35 607 970-90 0010
---	--	-----------------------

36 607 782

mm [inches]



Codes & Standards

ADA	ASME A112.18.1	ASME A112.18.1/CSA B125.1	cUPC
DIN 4109	EN 1111	EN 200	ISO 3822
Scottish Water Byelaws	UK Water Supply Regulations	Ü-Zeichen	

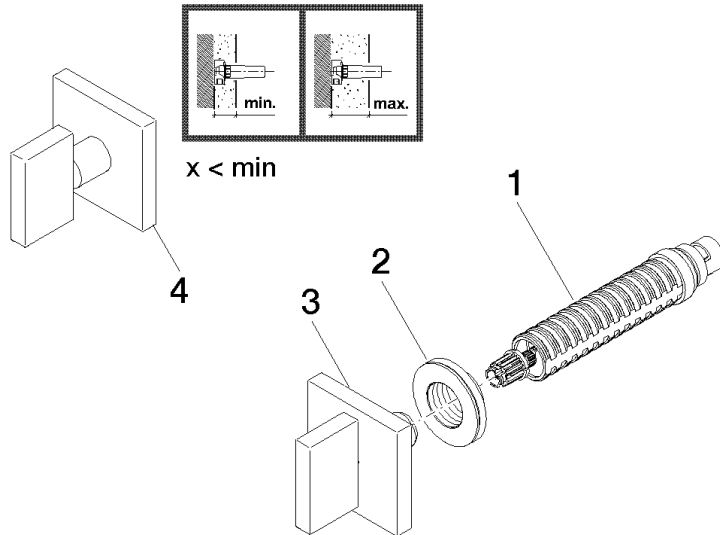
Certificates

IAPMO_4976	DVGW_DW- 6501DN0	WRAS_2010	LGA_29	LGA_29
DVGW_DW- 6512DN0	WRAS_2011			

36 607 782

Product version up to 10/14/2020

Product version from 10/14/2020





MEM Wall valve clockwise closing 1/2" - Brushed Dark Platinum

MEM

36 607 782

Spare parts list

Product version up to 10/14/2020

Product version from 10/14/2020

No.	Item Number	Name	Quantity used	Delivery time
	90 90 03 143 00 90	top	4	2