

**VAIA Wall valve clockwise closing 1/2" - Brushed Platinum**

VAIA

36 607 819



- rosette Ø 60 mm
- head part with cut-to-length spindle and sleeve
- WRAS 2011026, 2010066

|  |                                     |               |
|--|-------------------------------------|---------------|
|  | Brushed Platinum                    | 36 607 819-06 |
|  | Chrome                              | 36 607 819-00 |
|  | Platinum                            | 36 607 819-08 |
|  | Dark Chrome                         | 36 607 819-19 |
|  | Brushed Durabronze<br>(23kt Gold)   | 36 607 819-28 |
|  | Brushed Bronze                      | 36 607 819-42 |
|  | Brushed<br>Champagne (22kt<br>Gold) | 36 607 819-46 |
|  | Champagne (22kt<br>Gold)            | 36 607 819-47 |
|  | Brushed Dark<br>Platinum            | 36 607 819-99 |

**Required miscellaneous**



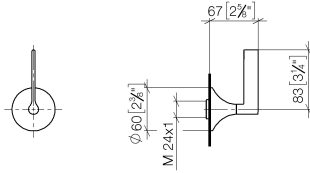
**Wall valve 1/2" -**

- max. recess depth 145 mm
- min. recess depth 75 mm

35 607 970-90  
0010

36 607 819

mm [inches]

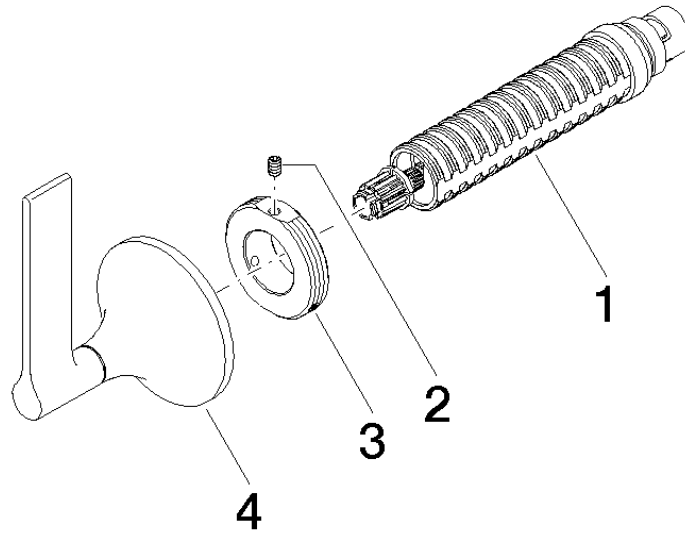


Codes & Standards

|                           |                                |                                 |          |
|---------------------------|--------------------------------|---------------------------------|----------|
| ADA                       | ASME A112.18.1                 | ASME<br>A112.18.1/CSA<br>B125.1 | cUPC     |
| DIN 4109                  | EN 1111                        | EN 200                          | ISO 3822 |
| Scottish Water<br>Byelaws | UK Water Supply<br>Regulations | Ü-Zeichen                       |          |

Certificates

|                     |                     |           |        |        |
|---------------------|---------------------|-----------|--------|--------|
| IAPMO_4976          | DVGW_DW-<br>6501DN0 | WRAS_2010 | LGA_29 | LGA_29 |
| DVGW_DW-<br>6512DN0 | WRAS_2011           |           |        |        |





VAIA Wall valve clockwise closing 1/2" - Brushed Platinum

VAIA

36 607 819

**Spare parts list**

| No. | Item Number        | Name | Quantity used | Delivery time |
|-----|--------------------|------|---------------|---------------|
|     | 90 90 03 143 00 90 | top  | 4             | 2             |