



SYMETRICS Wall valve anti-clockwise closing 1/2" - Brushed Durabronz (23kt Gold)

IMO


36 607 985



- rosette 60 x 60 mm
- head part with cut-to-length spindle and sleeve
- WRAS 2011026, 2010066

	Brushed Durabronz (23kt Gold)	36 607 985-28
	Chrome	36 607 985-00
	Brushed Platinum	36 607 985-06
	Platinum	36 607 985-08
	Dark Chrome	36 607 985-19
	Brushed Light Gold	36 607 985-27
	Brushed Chrome	36 607 985-93
	Brushed Dark Platinum	36 607 985-99

Required miscellaneous

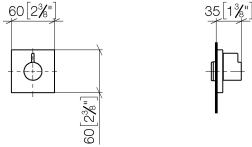
	Wall valve 1/2" - <ul style="list-style-type: none">• max. recess depth 145 mm• min. recess depth 75 mm	35 607 970-90 0010
---	---	-----------------------



SYMETRICS Wall valve anti-clockwise closing 1/2" - Brushed Durabronz (23kt Gold)

IMO

36 607 985
mm [inches]



Codes & Standards

ADA	ASME A112.18.1/CSA B125.1	DIN 4109	EN 1111
EN 200	ISO 3822	Scottish Water Byelaws	UK Water Supply Regulations

Ü-Zeichen

Certificates

DVGW_DW- 6501DN0	WRAS_2010	LGA_29	LGA_29	DVGW_DW- 6512DN0
WRAS_2011				

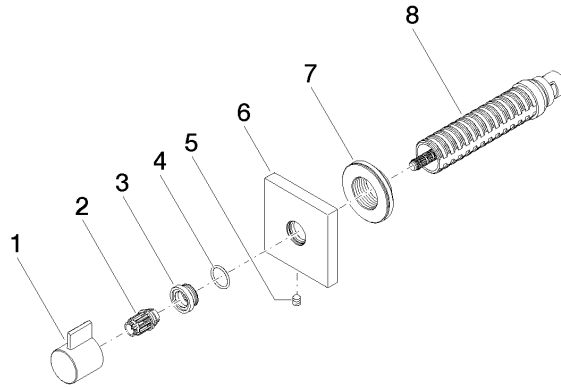


SYMETRICS Wall valve anti-clockwise closing 1/2" - Brushed Durabronze (23kt Gold)

IMO

36 607 985

Product version from 6/1/2024





SYMETRICS Wall valve anti-clockwise closing 1/2" - Brushed Durabronze (23kt Gold)

IMO

36 607 985

Spare parts list

Product version from 6/1/2024

No.	Item Number	Name	Quantity used	Delivery time
	09 20 98 002-28	handle	8	20