


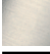


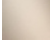


**MEM Wall-mounted basin mixer without pop-up waste - Chrome**

MEM

36 702 782



- 126mm projection
- fixed spout
- rectangular, air-enriched flow
- hole diameter valve 35 mm
- hole diameter spout 35 mm
- individual rosettes 60 x 60 mm
- max. flow 4.5 l/min
- lead-free
- This product can help a building meet the requirements of Green Building Rating Systems, e.g. LEED®, BREEAM®, DGNB

	Chrome	36 702 782-00 0010
	Brushed Platinum	36 702 782-06 0010
	Platinum	36 702 782-08 0010
	Brushed Durabronze (23kt Gold)	36 702 782-28 0010
	Brushed Champagne (22kt Gold)	36 702 782-46 0010
	Champagne (22kt Gold)	36 702 782-47 0010
	Brushed Dark Platinum	36 702 782-99 0010

**Required miscellaneous**



**Concealed wall-mounted mixer centred spout -** 35 700 970-90 0010

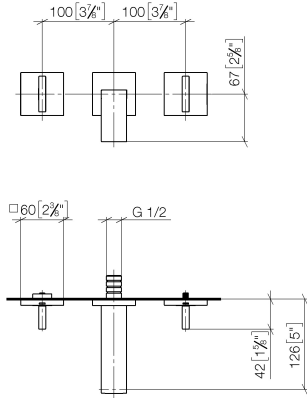
**Required miscellaneous**



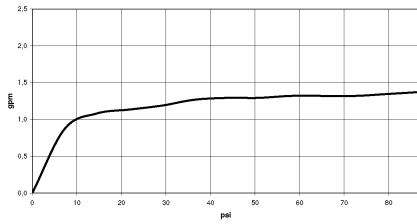
**Concealed wall-mounted mixer variable positioning -** 35 720 970-90 0010  
 •max. recess depth 150 mm  
 •min. recess depth 110 mm

36 702 782

mm [inches]



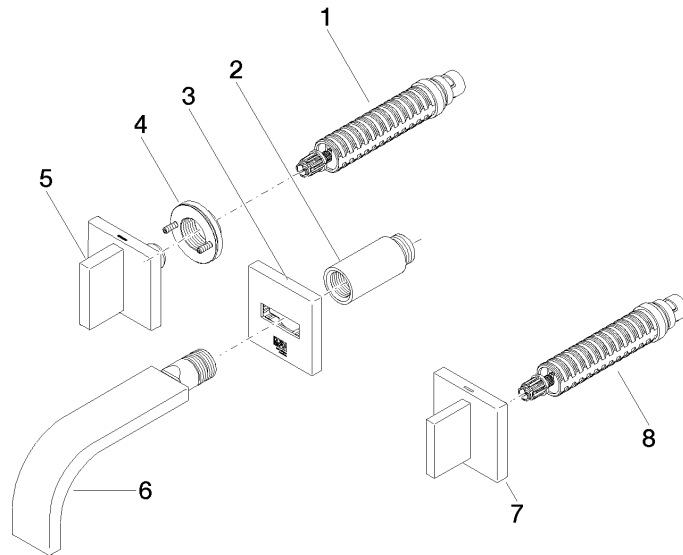
**Flow rate chart**



**Codes & Standards**

California Energy  
Commission  
(CEC)

36 702 782



Spare parts list

No.	Item Number	Name	Quantity used	Delivery time
1	90 90 03 156 00 90	top	1	2
2	09 24 03 081 10 90	extension	1	2
3	90 27 78 053 00-00	rosette	1	10
4	90 21 02 108 00 90	disc	1	2
5	90 20 78 002 07-00	handle ( hot )	1	10
6	90 28 22 357 01-00	spout	1	10
7	90 20 78 002 06-00	handle ( cold )	1	10
8	90 90 03 157 00 90	top	1	2