

36 702 819



- 125mm projection
- fixed spout
- circular, air-enriched flow
- hole diameter valve 35 mm
- hole diameter spout 35 mm
- rosettes Ø 60 mm
- max. flow 4.5 l/min
- lead-free
- This product can help a building meet the requirements of Green Building Rating Systems, e.g. LEED®, BREEAM®, DGNB

	Chrome	36 702 819-00 0010
	Brushed Platinum	36 702 819-06 0010
	Platinum	36 702 819-08 0010
	Brushed Durabronze (23kt Gold)	36 702 819-28 0010
	Brushed Bronze	36 702 819-42 0010
	Brushed Champagne (22kt Gold)	36 702 819-46 0010
	Champagne (22kt Gold)	36 702 819-47 0010
	Brushed Dark Platinum	36 702 819-99 0010

Required miscellaneous



Concealed wall-mounted mixer centred spout - 35 700 970-90 0010
 •min. recess depth 85 mm
 •max. recess depth 145 mm

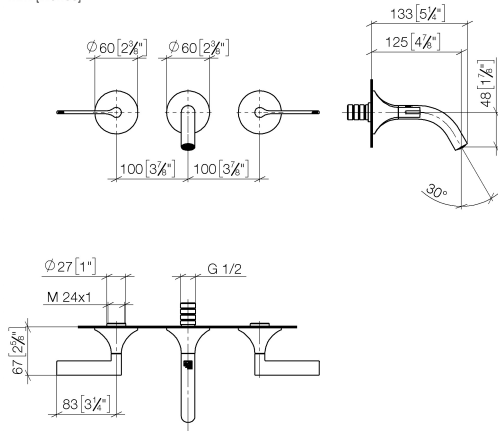
Required miscellaneous



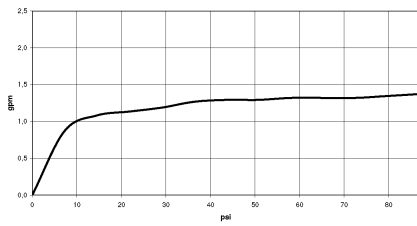
Concealed wall-mounted mixer variable positioning - 35 720 970-90 0010
 •max. recess depth 145 mm
 •min. recess depth 85 mm

36 702 819

mm [inches]



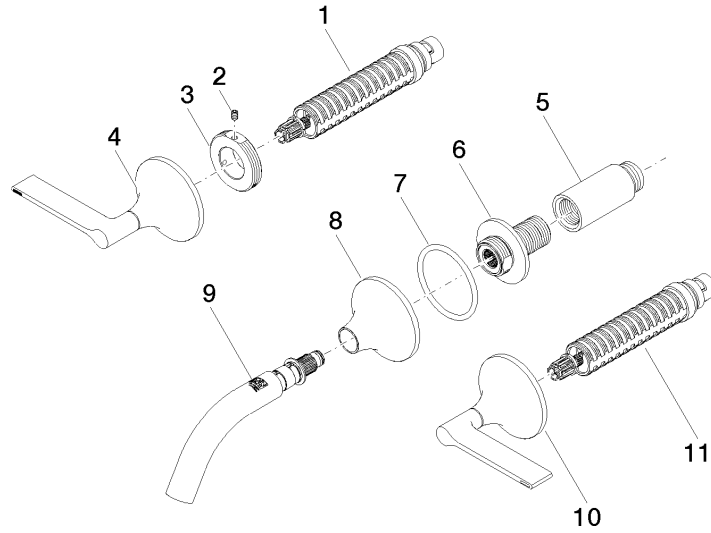
Flow rate chart



Codes & Standards

California Energy
Commission
(CEC)

36 702 819



Spare parts list

No.	Item Number	Name	Quantity used	Delivery time
1	90 90 03 157 00 90	top	1	2
2	09 31 11 008 90	pin	2	2
3	09 21 02 163 90	disc	2	2
4	90 20 80 013 00-00	handle (hot)	1	10
5	09 24 03 081 10 90	extension	1	2
6	09 24 03 269 90	nipple	1	2
7	09 14 10 084 90	seal	1	2
8	09 27 80 011-00	rosette	1	10
9	90 28 22 366 00-00	spout	1	10
10	90 20 80 012 00-00	handle (cold)	1	10
11	90 90 03 156 00 90	top	1	2