

36 712 809



- 190mm projection
- fixed spout
- circular, air-enriched flow
- hole diameter valve 37 mm
- hole diameter spout 40 mm
- rosettes Ø 60 mm
- max. flow 4.5 l/min
- lead-free
- This product can help a building meet the requirements of Green Building Rating Systems, e.g. LEED®, BREEAM®, DGNB

	Chrome	36 712 809-00 0010
	Brushed Platinum	36 712 809-06 0010
	Platinum	36 712 809-08 0010
	Dark Chrome	36 712 809-19 0010
	Brushed Durabronze (23kt Gold)	36 712 809-28 0010
	Brushed Bronze	36 712 809-42 0010
	Brushed Champagne (22kt Gold)	36 712 809-46 0010
	Champagne (22kt Gold)	36 712 809-47 0010
	Brushed Dark Platinum	36 712 809-99 0010

Required miscellaneous



- Concealed wall-mounted mixer centred spout -** 35 700 970-90 0010
- max. recess depth 145 mm
 - min. recess depth 85 mm

Required miscellaneous



- Concealed wall-mounted mixer variable positioning -** 35 720 970-90 0010
- max. recess depth 145 mm
 - min. recess depth 85 mm

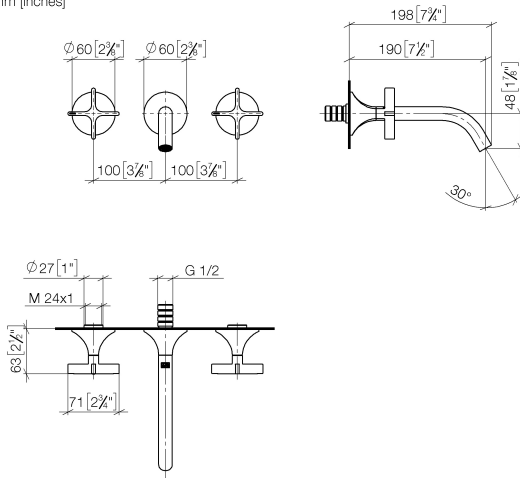


VAIA Wall-mounted basin mixer without pop-up waste - Chrome

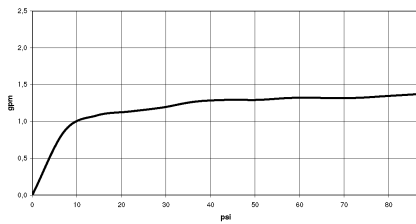
VAIA

36 712 809

mm [inches]



Flow rate chart



Codes & Standards

ADA

ASME
A112.18.1/CSA
B125.1

California Energy
Commission
(CEC)

NSF/ANSI 372

NSF/ANSI/CAN
61

Water Sense





VAIA Wall-mounted basin mixer without pop-up waste - Chrome

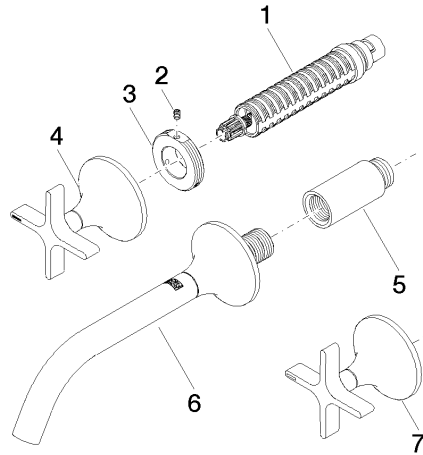
VAIA

36 712 809

Certificates

IAPMO_N-4976 (2). IAPMO_6397 (2). IAPMO_8834 (1). IAPMO_4976 (4).

36 712 809



Spare parts list

No.	Item Number	Name	Quantity used	Delivery time
1	90 90 03 157 00 90	top	2	2
2	09 31 11 008 90	pin	2	2
3	09 21 02 163 90	disc	2	2
4	90 20 80 011 00-00	handle (hot)	1	10
5	09 24 03 081 10 90	extension	1	2
6	13 800 809-00 0010	VAIA Wall-mounted basin spout without pop-up waste - Chrome	1	10
7	90 20 80 010 00-00	handle (cold)	1	10