

36 712 819



- 190mm projection
- fixed spout
- circular, air-enriched flow
- hole diameter valve 37 mm
- hole diameter spout 40 mm
- rosettes Ø 60 mm
- max. flow 4.5 l/min
- lead-free
- This product can help a building meet the requirements of Green Building Rating Systems, e.g. LEED®, BREEAM®, DGNB

	Chrome	36 712 819-00 0010
	Brushed Platinum	36 712 819-06 0010
	Platinum	36 712 819-08 0010
	Dark Chrome	36 712 819-19 0010
	Brushed Durabronze (23kt Gold)	36 712 819-28 0010
	Brushed Bronze	36 712 819-42 0010
	Brushed Champagne (22kt Gold)	36 712 819-46 0010
	Champagne (22kt Gold)	36 712 819-47 0010
	Brushed Dark Platinum	36 712 819-99 0010

Required miscellaneous



Concealed wall-mounted mixer centred spout - 35 700 970-90 0010

- max. recess depth 145 mm
- min. recess depth 85 mm

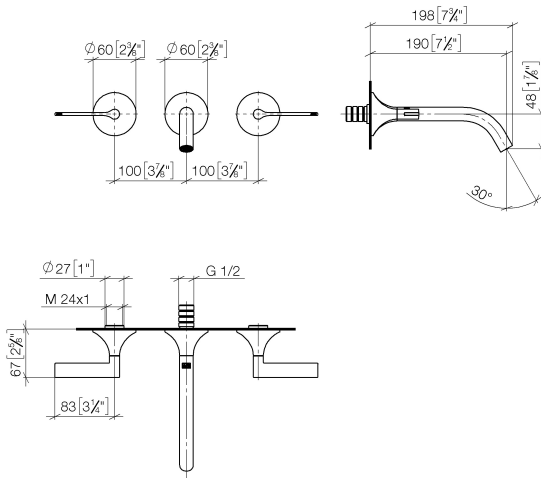
Required miscellaneous



Concealed wall-mounted mixer variable positioning - 35 720 970-90 0010

- max. recess depth 145 mm
- min. recess depth 85 mm

36 712 819



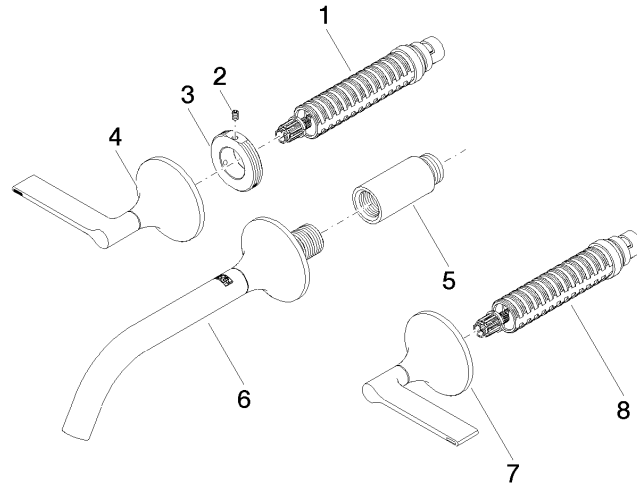
Codes & Standards

ADA	ASME A112.18.1/CSA B125.1	California Energy Commission (CEC)	NSF/ANSI 372
NSF/ANSI/CAN 61	Water Sense		

Certificates

IAPMO_N-4976 (2). IAPMO_6397 (2). IAPMO_8834 (1). IAPMO_4976 (4).

36 712 819



Spare parts list

No.	Item Number	Name	Quantity used	Delivery time
1	90 90 03 156 00 90	top	1	2
2	09 31 11 008 90	pin	2	2
3	09 21 02 163 90	disc	2	2
4	90 20 80 013 00-00	handle (hot)	1	10
5	09 24 03 081 10 90	extension	1	2
6	13 800 809-00 0010	VAIA Wall-mounted basin spout without pop-up waste - Chrome	1	10
7	90 20 80 012 00-00	handle (cold)	1	10
8	90 90 03 157 00 90	top	1	2