

36 712 892



- 190mm projection
- fixed spout
- circular, air-enriched flow
- hole diameter valve 40 mm
- hole diameter spout 40 mm
- rosette Ø 55 mm
- max. flow 4.5 l/min
- lead-free
- This product can help a building meet the requirements of Green Building Rating Systems, e.g. LEED®, BREEAM®, DGNB

	Chrome	36 712 892-00 0010
	Brushed Platinum	36 712 892-06 0010
	Platinum	36 712 892-08 0010
	Dark Chrome	36 712 892-19 0010
	Brushed Durabronze (23kt Gold)	36 712 892-28 0010
	Matte Black	36 712 892-33 0010
	Brushed Champagne (22kt Gold)	36 712 892-46 0010
	Champagne (22kt Gold)	36 712 892-47 0010
	Brushed Chrome	36 712 892-93 0010
	Brushed Dark Platinum	36 712 892-99 0010

Required miscellaneous



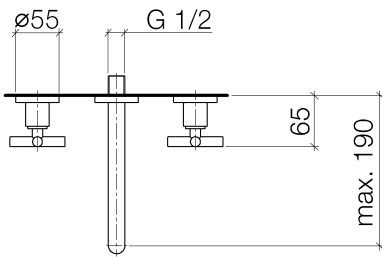
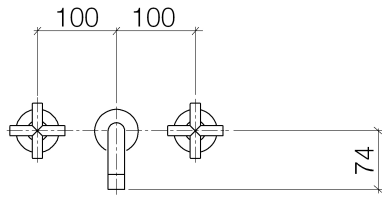
- Concealed wall-mounted mixer centred spout -** 35 700 970-90 0010
- max. recess depth 145 mm
 - min. recess depth 85 mm

Required miscellaneous

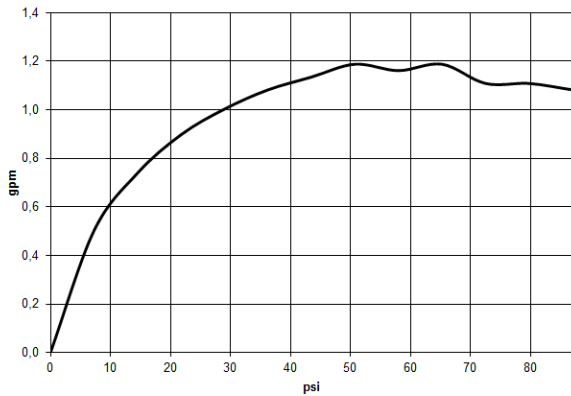


- Concealed wall-mounted mixer variable positioning -** 35 720 970-90 0010
- max. recess depth 145 mm
 - min. recess depth 85 mm

36 712 892



Flow rate chart



Codes & Standards

ADA

ASME
A112.18.1/CSA
B125.1

California Energy
Commission
(CEC)

NSF/ANSI 372

NSF/ANSI/CAN
61

Water Sense





TARA Wall-mounted basin mixer without pop-up waste - Chrome

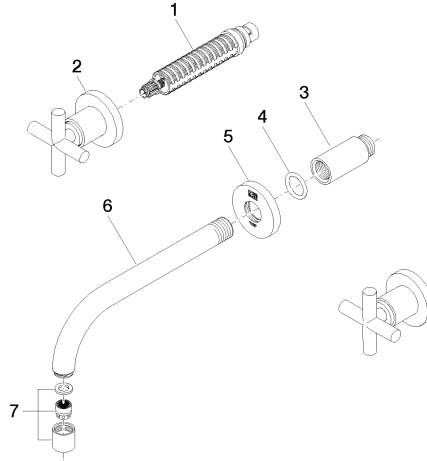
TARA

36 712 892

Certificates

IAPMO_N-4976 (2). IAPMO_6397 (2). IAPMO_8834 (1). IAPMO_4976 (3).

36 712 892



Spare parts list

No.	Item Number	Name	Quantity used	Delivery time
1	90 90 03 157 00 90	top	2	2
2	36 310 892-00	connection	2	10
3	09 24 03 081 10 90	extension	1	2
4	90 14 10 026 00 90	seal	1	2
5	09 27 22 501-00	rosette	1	10
6	04 28 22 090 10-00	spout	1	10
7	90 23 01 019 02-00	aerator	1	10