

36 819 892



- 325-495mm projection
- pivoting spout
- laminar flow
- rosette Ø 55 mm
- max. flow 5.7 l/min at 3 bar flow pressure
- lead-free
- This product can help a building meet the requirements of Green Building Rating Systems, e.g. LEED®, BREEAM®, DGNB

Required miscellaneous



Concealed wall-mounted mixer centred spout - 35 700 970-90
0010

- max. recess depth 145 mm
- min. recess depth 85 mm

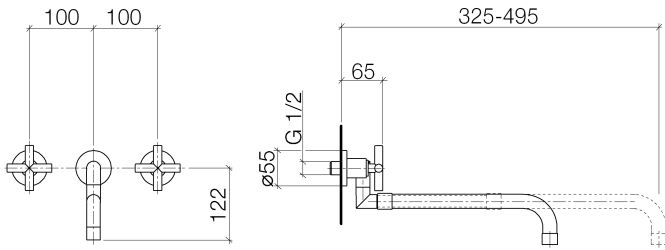
Required miscellaneous



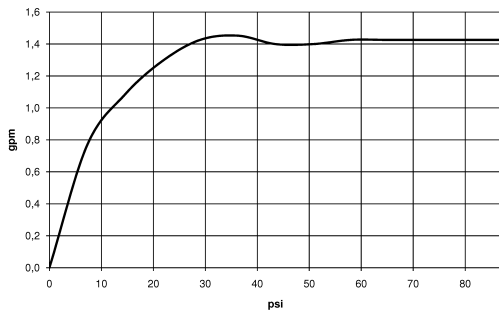
Concealed wall-mounted mixer variable positioning - 35 720 970-90
0010

- max. recess depth 145 mm
- min. recess depth 85 mm

36 819 892



Flow rate chart



Codes & Standards

ADA

NSF/ANSI 372

NSF372



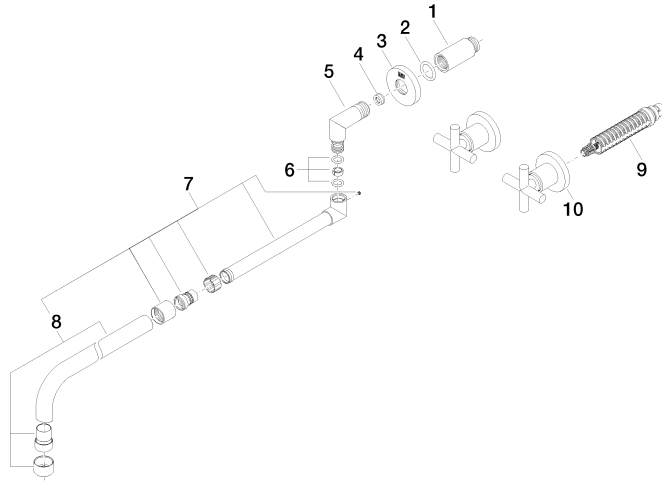
TARA Wall-mounted sink mixer with extending spout - Platinum

TARA

36 819 892

Certificates

IAPMO_6397





TARA Wall-mounted sink mixer with extending spout - Platinum

TARA

36 819 892

Spare parts list

No.	Item Number	Name	Quantity used	Delivery time
	09 24 03 081 10 90	extension	12	2