

META Wall-mounted single-lever basin mixer without pop-up waste - Brushed Platinum

META

36 860 660



- 190mm projection
- fixed spout
- circular, air-enriched flow
- hole diameter spout 37 mm
- hole diameter single-lever mixer 57 mm
- rosette for spout Ø 55mm
- rosette for mixer Ø 78mm
- max. flow 4.5 l/min
- lead-free
- This product can help a building meet the requirements of Green Building Rating Systems, e.g. LEED®, BREEAM®, DGNB

	Brushed Platinum	36 860 660-06 0010
	Chrome	36 860 660-00 0010
	Dark Chrome	36 860 660-19 0010
	Light Gold	36 860 660-26 0010
	Brushed Light Gold	36 860 660-27 0010
	Matte Black	36 860 660-33 0010
	Brushed Bronze	36 860 660-42 0010
	Brushed Champagne (22kt Gold)	36 860 660-46 0010
	Champagne (22kt Gold)	36 860 660-47 0010
	Brushed Chrome	36 860 660-93 0010
	Brushed Dark Platinum	36 860 660-99 0010

Required miscellaneous



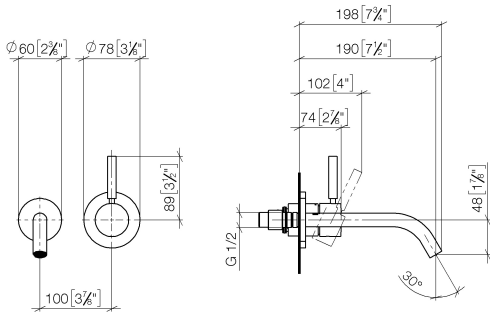
- Concealed wall-mounted single-lever mixer -** 35 860 970-90 0010
- max. recess depth 95 mm
 - min. recess depth 80 mm
 - Rough can be rotated to position the lever on top or to the left of the spout.



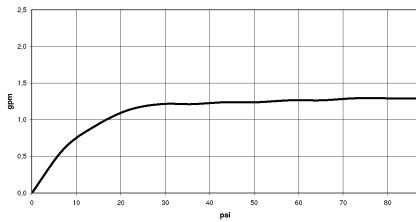
META Wall-mounted single-lever basin mixer without pop-up waste - Brushed Platinum

META


36 860 660
mm [inches]



Flow rate chart



Codes & Standards

ADA	ASME A112.18.1	ASME A112.18.1/CSA B125.1	California Energy Commission (CEC)
cUPC	EPA WaterSense	NSF/ANSI 372	NSF/ANSI/CAN 61
NSF372	NSF61	Water Sense	WaterSense 



META Wall-mounted single-lever basin mixer without pop-up waste - Brushed Platinum

META

36 860 660

Certificates

IAPMO_4976

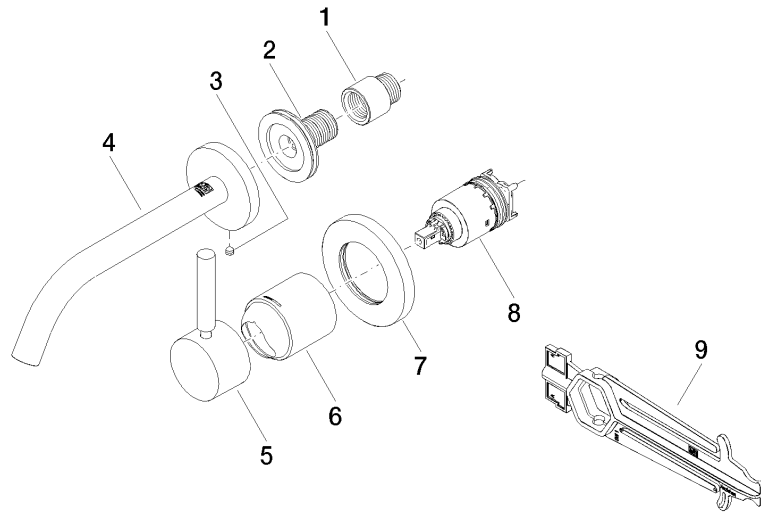
IAPMO_8834

IAPMO_6397

IAPMO_N-4976

36 860 660

Product version from 7/1/2023





META Wall-mounted single-lever basin mixer without pop-up waste - Brushed Platinum

META

36 860 660

Spare parts list

Product version from 7/1/2023

No.	Item Number	Name	Quantity used	Delivery time
	09 24 03 072 10 90	nipple	9	2