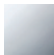



36 860 710



- 200mm projection
- fixed spout
- circular, air-enriched flow
- hole diameter spout 37 mm
- hole diameter single-lever mixer 57 mm
- rosette 78 x 78 mm
- max. flow 4.5 l/min
- lead-free
- This product can help a building meet the requirements of Green Building Rating Systems, e.g. LEED®, BREEAM®, DGNB

|   |                  |                    |
|---|------------------|--------------------|
|  | Chrome           | 36 860 710-00 0010 |
|  | Brushed Platinum | 36 860 710-06 0010 |

**Required miscellaneous**



- Concealed wall-mounted single-lever mixer -** 35 860 970-90 0010
- max. recess depth 95 mm
  - min. recess depth 80 mm
  - Rough can be rotated to position the lever on top or to the left of the spout.

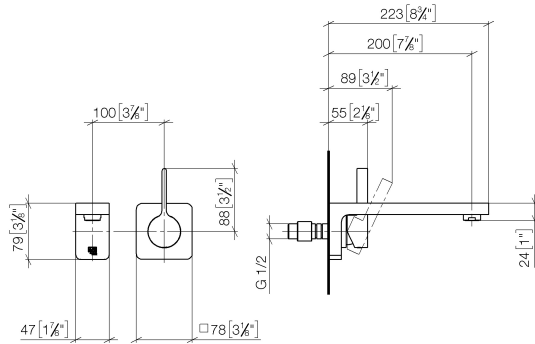


# LULU Wall-mounted single-lever basin mixer without pop-up waste - Chrome

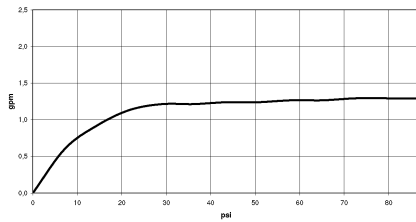
LULU

36 860 710

mm [inches]



## Flow rate chart



## Codes & Standards

ADA

ASME  
A112.18.1/CSA  
B125.1

California Energy  
Commission  
(CEC)

NSF/ANSI 372

NSF/ANSI/CAN  
61

Water Sense





## LULU Wall-mounted single-lever basin mixer without pop-up waste - Chrome

---

LULU

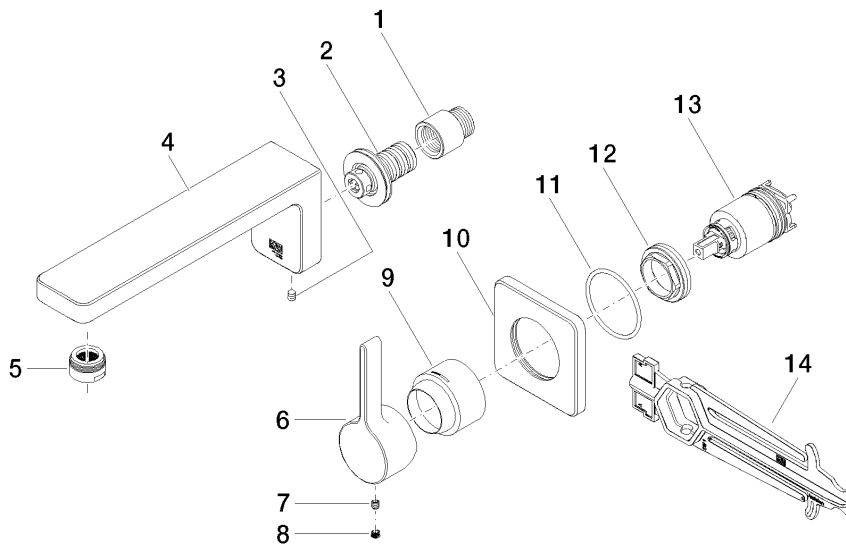
36 860 710

### Certificates

---

IAPMO\_N-4976 (2). IAPMO\_8834 (2). IAPMO\_6397 (2). IAPMO\_4976 (1).

36 860 710



### Spare parts list

| No. | Item Number        | Name       | Quantity used | Delivery time |
|-----|--------------------|------------|---------------|---------------|
| 1   | 09 24 03 072 10 90 | nipple     | 1             | 2             |
| 2   | 90 24 03 108 00 90 | nipple set | 1             | 2             |
| 3   | 90 31 11 004 00 90 | pin        | 1             | 2             |
| 4   | 09 11 71 091-00    | spout      | 1             | 10            |
| 5   | 90 23 01 118 04-00 | aerator    | 1             | 10            |
| 6   | 09 20 71 001-00    | handle     | 1             | 10            |
| 7   | 90 31 11 030 00 90 | pin        | 1             | 2             |
| 8   | 90 31 20 109 00 90 | plug       | 1             | 2             |
| 9   | 09 11 02 530-00    | cover      | 1             | 10            |
| 10  | 09 27 71 001-00    | rosette    | 1             | 10            |
| 11  | 90 14 10 049 00 90 | seal       | 1             | 2             |
| 12  | 09 24 04 105 90    | nut        | 1             | 2             |
| 13  | 90 15 05 064 01 90 | cartridge  | 1             | 2             |
| 14  | 90 30 09 064 00 90 | key        | 1             | 2             |