

MEM Wall-mounted single-lever basin mixer without pop-up waste - Brushed Platinum

MEM

36 860 782



- 177mm projection
- fixed spout
- rectangular, air-enriched flow
- hole diameter spout 37 mm
- hole diameter single-lever mixer 57 mm
- rosette for spout 80 x 60mm
- rosette for mixer 80 x 80mm
- max. flow 4.5 l/min
- lead-free
- This product can help a building meet the requirements of Green Building Rating Systems, e.g. LEED®, BREEAM®, DGNB

	Brushed Platinum	36 860 782-06 0010
	Chrome	36 860 782-00 0010
	Platinum	36 860 782-08 0010
	Dark Chrome	36 860 782-19 0010
	Brushed Durabronze (23kt Gold)	36 860 782-28 0010
	Brushed Champagne (22kt Gold)	36 860 782-46 0010
	Champagne (22kt Gold)	36 860 782-47 0010
	Brushed Dark Platinum	36 860 782-99 0010

Required miscellaneous



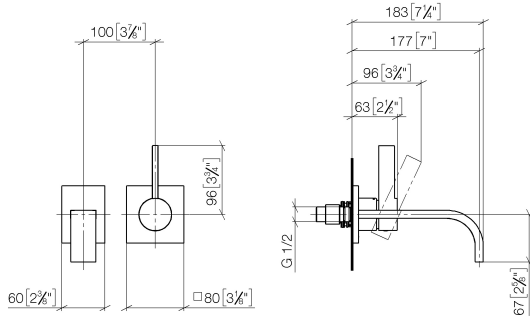
- Concealed wall-mounted single-lever mixer -** 35 860 970-90 0010
- max. recess depth 95 mm
 - min. recess depth 80 mm
 - Rough can be rotated to position the lever on top or to the left of the spout.



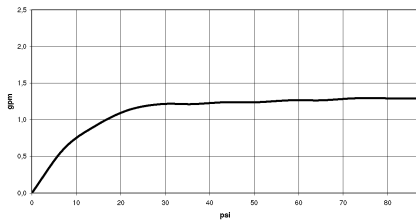
MEM Wall-mounted single-lever basin mixer without pop-up waste - Brushed Platinum

MEM

36 860 782
mm [inches]



Flow rate chart



Codes & Standards

ADA	ASME A112.18.1	ASME A112.18.1/CSA B125.1	California Energy Commission (CEC)
cUPC	EPA WaterSense	NSF/ANSI 372	NSF/ANSI/CAN 61
NSF372	NSF61	Water Sense	WaterSense



MEM Wall-mounted single-lever basin mixer without pop-up waste - Brushed
Platinum

MEM

36 860 782

Certificates

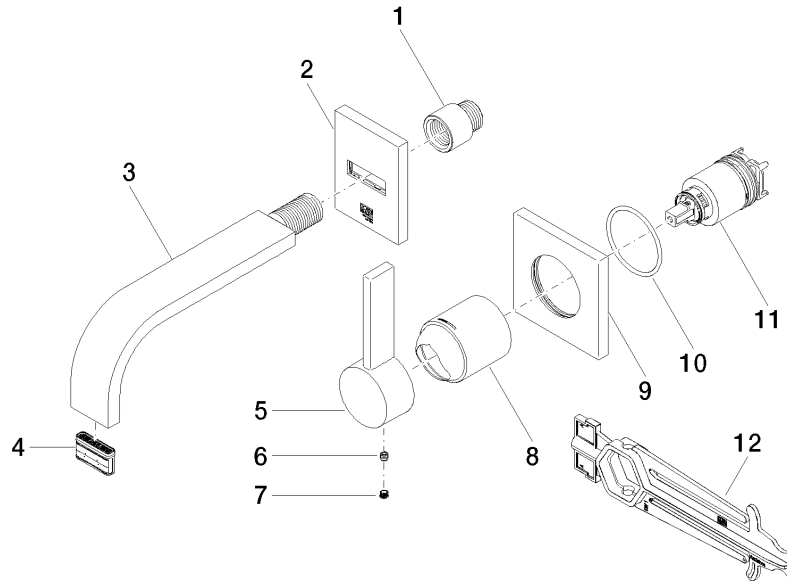
IAPMO_4976

IAPMO_8834

IAPMO_6397

IAPMO_N-4976

36 860 782





MEM Wall-mounted single-lever basin mixer without pop-up waste - Brushed
Platinum

MEM

36 860 782

Spare parts list

No.	Item Number	Name	Quantity used	Delivery time
	09 24 03 072 10 90	nipple	12	2