

**MEM Wall-mounted single-lever basin mixer without pop-up waste -  
Champagne (22kt Gold)**

MEM

36 860 782



- 177mm projection
- fixed spout
- rectangular, air-enriched flow
- hole diameter spout 37 mm
- hole diameter single-lever mixer 57 mm
- rosette for spout 80 x 60mm
- rosette for mixer 80 x 80mm
- max. flow 4.5 l/min
- lead-free
- This product can help a building meet the requirements of Green Building Rating Systems, e.g. LEED®, BREEAM®, DGNB

	Champagne (22kt Gold)	36 860 782-47 0010
	Chrome	36 860 782-00 0010
	Brushed Platinum	36 860 782-06 0010
	Platinum	36 860 782-08 0010
	Dark Chrome	36 860 782-19 0010
	Brushed Durabronze (23kt Gold)	36 860 782-28 0010
	Brushed Champagne (22kt Gold)	36 860 782-46 0010
	Brushed Dark Platinum	36 860 782-99 0010

**Required miscellaneous**



**Concealed wall-mounted single-lever mixer -** 35 860 970-90 0010

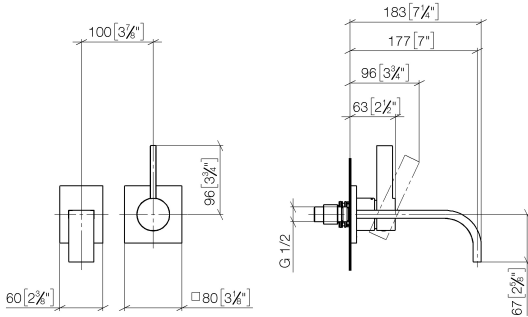
- max. recess depth 95 mm
- min. recess depth 80 mm
- Rough can be rotated to position the lever on top or to the left of the spout.



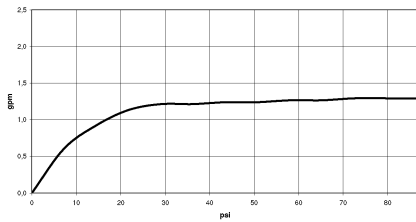
# MEM Wall-mounted single-lever basin mixer without pop-up waste - Champagne (22kt Gold)

MEM

36 860 782  
mm [inches]



## Flow rate chart



## Codes & Standards

ADA	ASME A112.18.1/CSA B125.1	California Energy Commission (CEC)	EPA WaterSense
NSF/ANSI 372	NSF/ANSI/CAN 61	NSF372	NSF61
Water Sense	WaterSense		



MEM Wall-mounted single-lever basin mixer without pop-up waste -  
Champagne (22kt Gold)

---

MEM

36 860 782

Certificates

---

IAPMO\_8834

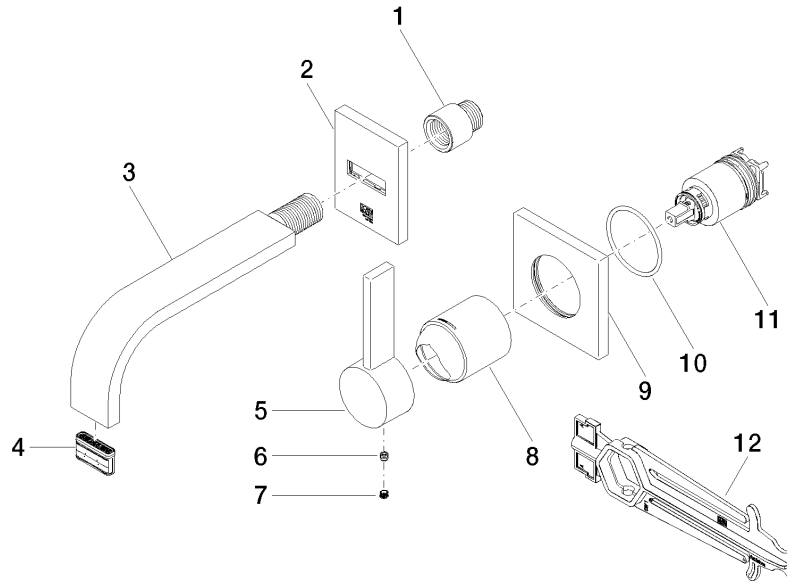
IAPMO\_6397

IAPMO\_N-4976

MEM Wall-mounted single-lever basin mixer without pop-up waste -  
Champagne (22kt Gold)

MEM

36 860 782





MEM Wall-mounted single-lever basin mixer without pop-up waste -  
Champagne (22kt Gold)

---

MEM

36 860 782

**Spare parts list**

No.	Item Number	Name	Quantity used	Delivery time
	09 24 03 072 10 90	nipple	12	2