

VAIA Wall-mounted single-lever basin mixer without pop-up waste - Brushed Bronze

VAIA

36 860 809



- 190mm projection
- fixed spout
- circular, air-enriched flow
- hole diameter spout 37 mm
- hole diameter single-lever mixer 57 mm
- rosette for single-lever mixer Ø 78mm
- rosette for spout Ø 60mm
- max. flow 4.5 l/min
- lead-free
- This product can help a building meet the requirements of Green Building Rating Systems, e.g. LEED®, BREEAM®, DGNB

| | | |
|---|-------------------------------|--------------------|
|  | Brushed Bronze | 36 860 809-42 0010 |
|  | Chrome | 36 860 809-00 0010 |
|  | Brushed Platinum | 36 860 809-06 0010 |
|  | Platinum | 36 860 809-08 0010 |
|  | Dark Chrome | 36 860 809-19 0010 |
|  | Brushed Durabrass (23kt Gold) | 36 860 809-28 0010 |
|  | Brushed Champagne (22kt Gold) | 36 860 809-46 0010 |
|  | Champagne (22kt Gold) | 36 860 809-47 0010 |
|  | Brushed Dark Platinum | 36 860 809-99 0010 |

Required miscellaneous



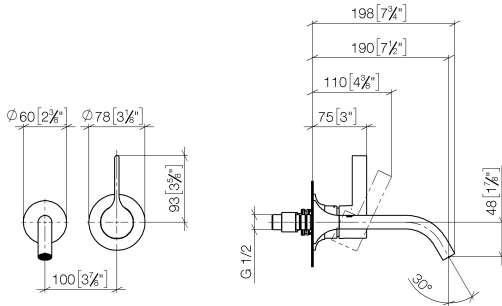
- Concealed wall-mounted single-lever mixer -** 35 860 970-90 0010
- min. recess depth 80 mm
 - Rough can be rotated to position the lever on top or to the left of the spout.
 - max. recess depth 95 mm



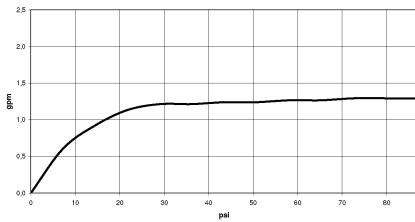
VAIA Wall-mounted single-lever basin mixer without pop-up waste - Brushed Bronze

VAIA

36 860 809
mm [inches]



Flow rate chart



Codes & Standards

ADA

ASME
A112.18.1/CSA
B125.1

California Energy
Commission
(CEC)

NSF/ANSI 372

NSF/ANSI/CAN
61



VAIA Wall-mounted single-lever basin mixer without pop-up waste - Brushed
Bronze

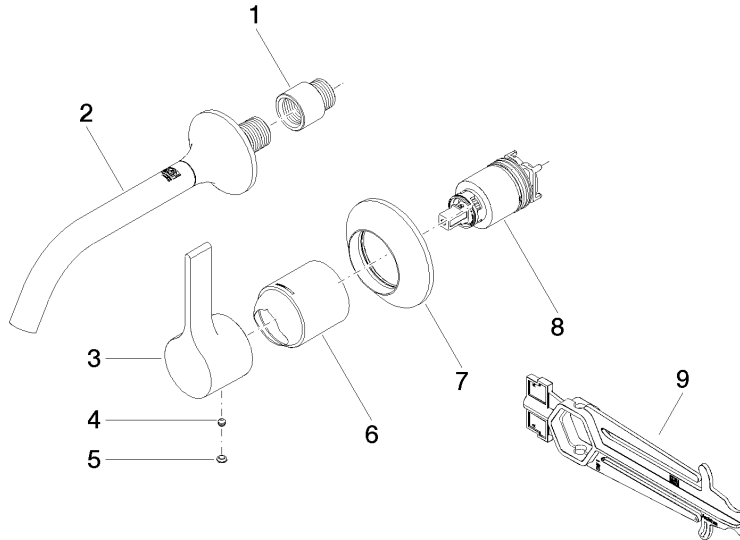
VAIA

36 860 809

Certificates

IAPMO_N-4976 (2). IAPMO_6397 (2).

36 860 809



Spare parts list

| No. | Item Number | Name | Quantity used | Delivery time |
|-----|--------------------|--|---------------|---------------|
| 1 | 09 24 03 072 10 90 | nipple | 1 | 2 |
| 2 | 13 800 809-42 0010 | VAIA Wall-mounted basin spout without pop-up waste - Brushed Bronze | 1 | 30 |
| 3 | 09 20 80 021-42 | handle | 1 | 60 |
| 4 | 90 31 11 063 00 90 | pin | 1 | 2 |
| 5 | 90 31 20 087 00-42 | plug | 1 | 30 |
| 6 | 09 11 02 288-42 | cover | 1 | 60 |
| 7 | 90 27 80 012 00-42 | rosette | 1 | 30 |
| 8 | 90 15 05 064 01 90 | cartridge | 1 | 2 |
| 9 | 90 30 09 064 00 90 | key | 1 | 2 |