

**VAIA Wall-mounted single-lever basin mixer without pop-up waste -
Champagne (22kt Gold)**

VAIA

36 860 809



- 190mm projection
- fixed spout
- circular, air-enriched flow
- hole diameter spout 37 mm
- hole diameter single-lever mixer 57 mm
- rosette for single-lever mixer Ø 78mm
- rosette for spout Ø 60mm
- max. flow 4.5 l/min
- lead-free
- This product can help a building meet the requirements of Green Building Rating Systems, e.g. LEED®, BREEAM®, DGNB

	Champagne (22kt Gold)	36 860 809-47 0010
	Chrome	36 860 809-00 0010
	Brushed Platinum	36 860 809-06 0010
	Platinum	36 860 809-08 0010
	Dark Chrome	36 860 809-19 0010
	Brushed Durabronze (23kt Gold)	36 860 809-28 0010
	Brushed Bronze	36 860 809-42 0010
	Brushed Champagne (22kt Gold)	36 860 809-46 0010
	Brushed Dark Platinum	36 860 809-99 0010

Required miscellaneous



Concealed wall-mounted single-lever mixer - 35 860 970-90 0010

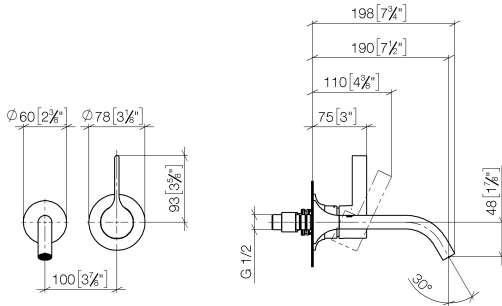
- max. recess depth 95 mm
- min. recess depth 80 mm
- Rough can be rotated to position the lever on top or to the left of the spout.



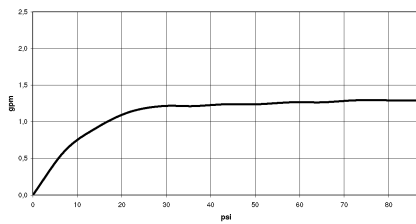
VAIA Wall-mounted single-lever basin mixer without pop-up waste - Champagne (22kt Gold)

VAIA

36 860 809
mm [inches]



Flow rate chart



Codes & Standards

ADA

ASME
A112.18.1/CSA
B125.1

California Energy
Commission
(CEC)

NSF/ANSI 372

NSF/ANSI/CAN
61

Water Sense





VAIA Wall-mounted single-lever basin mixer without pop-up waste -
Champagne (22kt Gold)

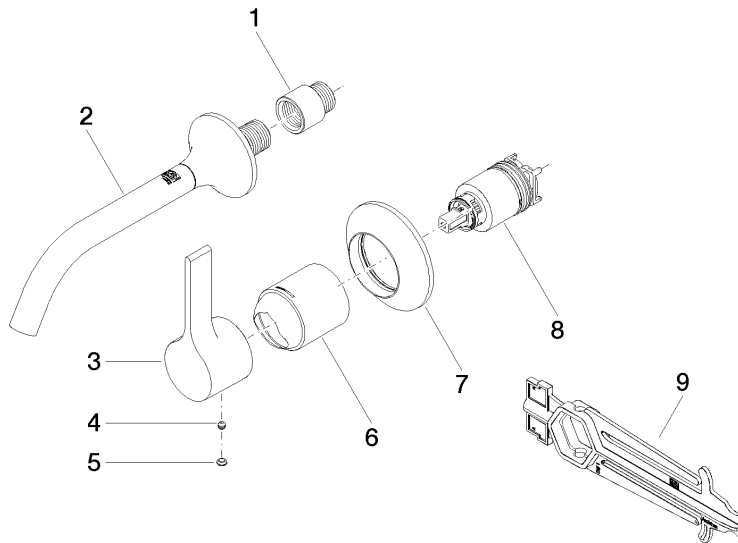
VAIA

36 860 809

Certificates

IAPMO_N-4976 (2). IAPMO_8834 (2). IAPMO_6397 (2).

36 860 809



Spare parts list

No.	Item Number	Name	Quantity used	Delivery time
1	09 24 03 072 10 90	nipple	1	2
2	13 800 809-47 0010	VAIA Wall-mounted basin spout without pop-up waste - Champagne (22kt Gold)	1	30
3	09 20 80 021-47	handle	1	30
4	90 31 11 063 00 90	pin	1	2
5	90 31 20 087 00-47	plug	1	30
6	09 11 02 288-47	cover	1	30
7	90 27 80 012 00-47	rosette	1	30
8	90 15 05 064 01 90	cartridge	1	2
9	90 30 09 064 00 90	key	1	2