

**MEM Wall-mounted single-lever basin mixer without pop-up waste - Dark Chrome**

MEM

36 861 782



- 207mm projection
- fixed spout
- rectangular, air-enriched flow
- hole diameter spout 37 mm
- hole diameter single-lever mixer 57 mm
- rosette for spout 80 x 60mm
- rosette for mixer 80 x 80mm
- max. flow 4.5 l/min
- lead-free
- This product can help a building meet the requirements of Green Building Rating Systems, e.g. LEED®, BREEAM®, DGNB

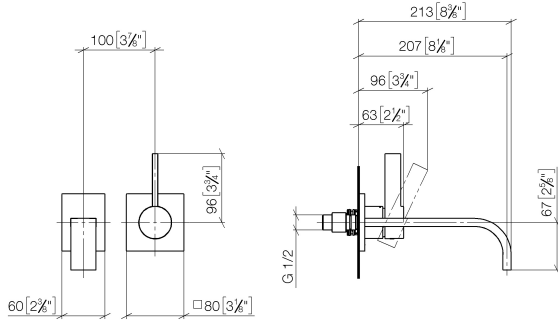
	Dark Chrome	36 861 782-19 0010
	Chrome	36 861 782-00 0010
	Brushed Platinum	36 861 782-06 0010
	Platinum	36 861 782-08 0010
	Brushed Durabrass (23kt Gold)	36 861 782-28 0010
	Brushed Champagne (22kt Gold)	36 861 782-46 0010
	Champagne (22kt Gold)	36 861 782-47 0010
	Brushed Dark Platinum	36 861 782-99 0010



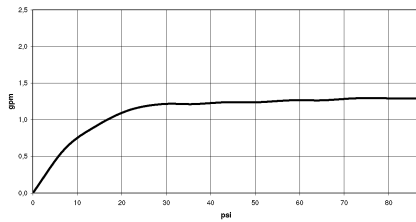
# MEM Wall-mounted single-lever basin mixer without pop-up waste - Dark Chrome

MEM

36 861 782  
mm [inches]



## Flow rate chart



## Codes & Standards

ADA

ASME  
A112.18.1/CSA  
B125.1

California Energy  
Commission  
(CEC)

NSF/ANSI 372

NSF/ANSI/CAN  
61



MEM Wall-mounted single-lever basin mixer without pop-up waste - Dark  
Chrome

---

MEM

36 861 782

Certificates

---

IAPMO\_N-4976 (2). IAPMO\_6397 (2).

MEM Wall-mounted single-lever basin mixer without pop-up waste - Dark  
Chrome

MEM

36 861 782  
Parts for other  
finishes can be found  
here: [Chrome](#)

