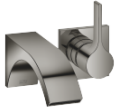









# CYO Wall-mounted single-lever basin mixer without pop-up waste - Dark Chrome

CYO

36 861 811



- 190mm projection
- fixed spout
- rectangular, air-enriched flow
- hole diameter spout 37 mm
- hole diameter single-lever mixer 57 mm
- rosette for mixer 80 x 80mm
- max. flow 4.5 l/min
- lead-free
- This product can help a building meet the requirements of Green Building Rating Systems, e.g. LEED®, BREEAM®, DGNB
- WRAS 2107047

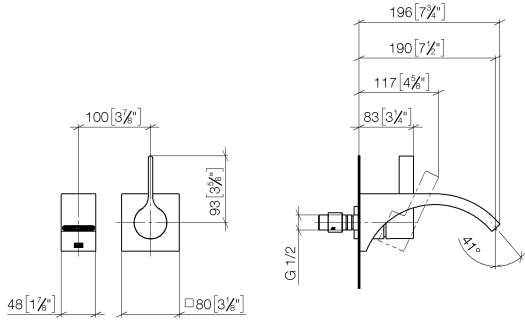
	Dark Chrome	36 861 811-19
	Chrome	36 861 811-00
	Brushed Platinum	36 861 811-06
	Brushed Durabross (23kt Gold)	36 861 811-28
	Brushed Dark Platinum	36 861 811-99



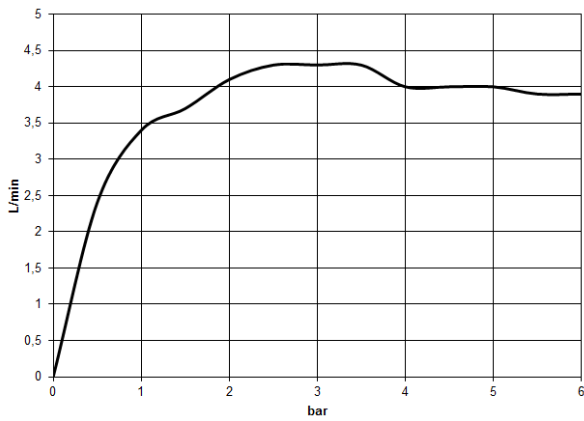
# CYO Wall-mounted single-lever basin mixer without pop-up waste - Dark Chrome

CYO

36 861 811  
mm [inches]



## Flow rate chart



## Codes & Standards

California Energy  
Commission  
(CEC)

NSF372

NSF61



CYO Wall-mounted single-lever basin mixer without pop-up waste - Dark  
Chrome

---

CYO

36 861 811  
Certificates

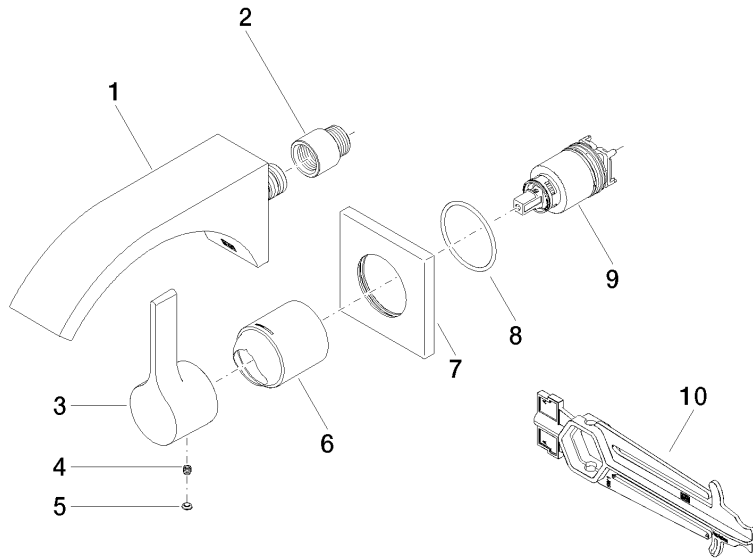
---

IAPMO\_6397

IAPMO\_N-4976

36 861 811

Parts for other  
finishes can be found  
here: [Chrome](#)





CYO Wall-mounted single-lever basin mixer without pop-up waste - Dark Chrome

CYO

36 861 811

**Spare parts list**

No.	Item Number	Name	Quantity used	Delivery time
	13 805 811-19	CYO Wall-mounted basin spout without pop-up waste - Dark Chrome	10	20