

MEM Wall-mounted single-lever basin mixer with cover plate without pop-up waste - Dark Chrome

MEM

36 863 782



- 177mm projection
- fixed spout
- rectangular, air-enriched flow
- hole diameter spout 37 mm
- hole diameter single-lever mixer 57 mm
- cover plate 80 x 180 mm
- max. flow 4.5 l/min
- lead-free
- This product can help a building meet the requirements of Green Building Rating Systems, e.g. LEED®, BREEAM®, DGNB

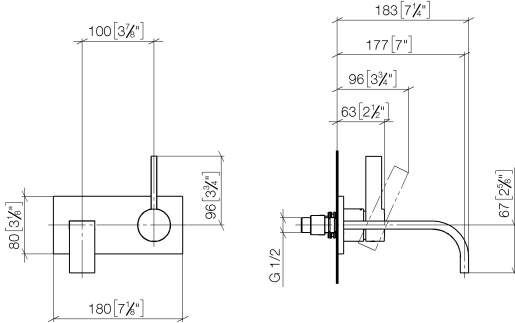
	Dark Chrome	36 863 782-19 0010
	Chrome	36 863 782-00 0010
	Brushed Platinum	36 863 782-06 0010
	Platinum	36 863 782-08 0010
	Brushed Durabross (23kt Gold)	36 863 782-28 0010
	Brushed Champagne (22kt Gold)	36 863 782-46 0010
	Champagne (22kt Gold)	36 863 782-47 0010
	Brushed Dark Platinum	36 863 782-99 0010



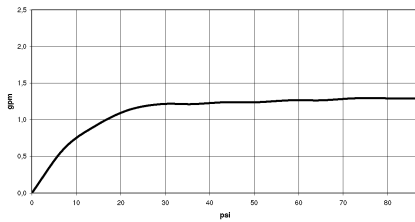
MEM Wall-mounted single-lever basin mixer with cover plate without pop-up waste - Dark Chrome

MEM

36 863 782
mm [inches]



Flow rate chart



Codes & Standards

ADA	ASME A112.18.1/CSA B125.1	California Energy Commission (CEC)	NSF/ANSI 372
NSF/ANSI/CAN 61	NSF372	NSF61	



MEM Wall-mounted single-lever basin mixer with cover plate without pop-up
waste - Dark Chrome

MEM

36 863 782

Certificates

IAPMO_6397

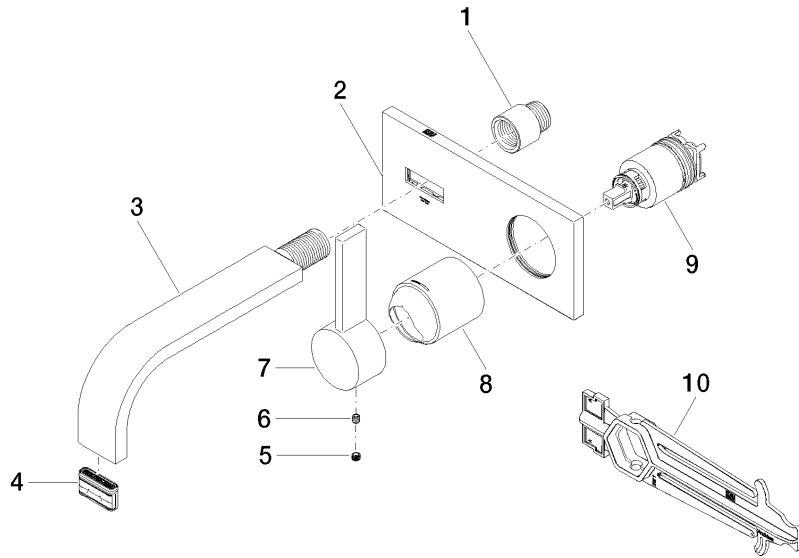
IAPMO_N-4976

MEM Wall-mounted single-lever basin mixer with cover plate without pop-up waste - Dark Chrome

MEM

36 863 782

Parts for other finishes can be found here: [Chrome](#)





MEM Wall-mounted single-lever basin mixer with cover plate without pop-up
waste - Dark Chrome

MEM

36 863 782

Spare parts list