

36 867 660



- 125mm projection
- fixed spout
- circular, air-enriched flow
- hole diameter spout 35 mm
- hole diameter single-lever mixer 57 mm
- rosette for single-lever mixer Ø 78mm
- rosette for spout Ø 60mm
- max. flow 4.5 l/min
- lead-free
- This product can help a building meet the requirements of Green Building Rating Systems, e.g. LEED®, BREEAM®, DGNB

	Chrome	36 867 660-00 0010
	Brushed Platinum	36 867 660-06 0010
	Light Gold	36 867 660-26 0010
	Brushed Light Gold	36 867 660-27 0010
	Matte Black	36 867 660-33 0010
	Brushed Bronze	36 867 660-42 0010
	Brushed Champagne (22kt Gold)	36 867 660-46 0010
	Champagne (22kt Gold)	36 867 660-47 0010
	Brushed Chrome	36 867 660-93 0010
	Brushed Dark Platinum	36 867 660-99 0010

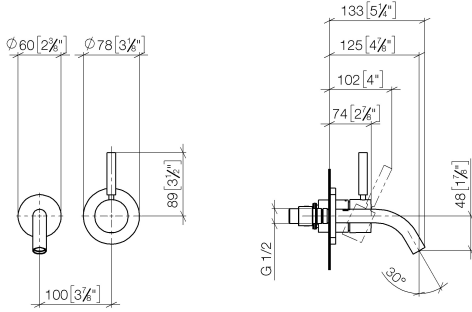
**Required miscellaneous**



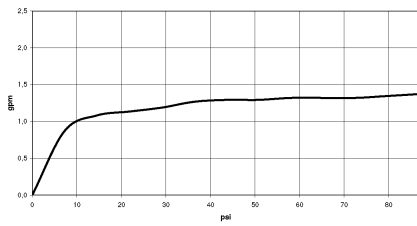
- Concealed wall-mounted single-lever mixer -** 35 860 970-90 0010
- min. recess depth 75 mm
  - max. recess depth 95 mm

36 867 660

mm [inches]



**Flow rate chart**



**Codes & Standards**

California Energy  
Commission  
(CEC)

Water Sense





## META Wall-mounted single-lever basin mixer without pop-up waste - Chrome

---

META

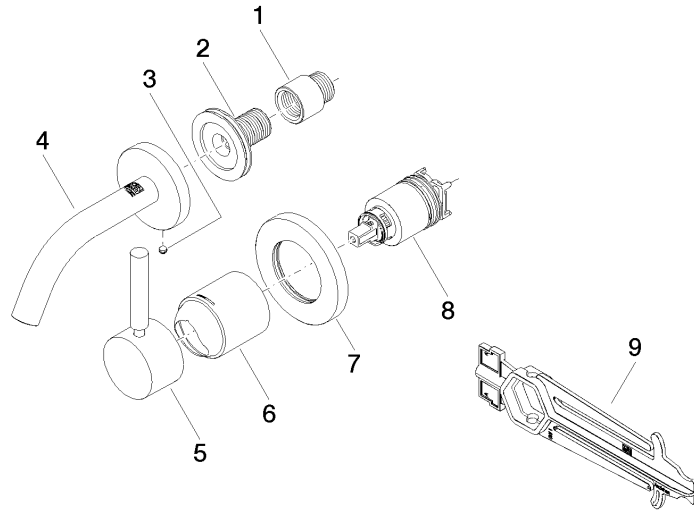
36 867 660

### Certificates

---

IAPMO\_N-4976 (2). IAPMO\_8834 (2). IAPMO\_6397 (2). IAPMO\_4976 (7).

36 867 660



**Spare parts list**

No.	Item Number	Name	Quantity used	Delivery time
1	09 24 03 072 10 90	nipple	1	2
2	90 24 03 280 00 90	nipple	1	2
3	09 31 11 148 90	pin	1	2
4	90 28 22 363 00-00	spout	1	10
5	90 20 66 007 00-00	handle	1	10
6	09 11 02 288-00	cover	1	10
7	90 27 62 011 00-00	rosette	1	10
8	90 15 05 064 01 90	cartridge	1	2
9	90 30 09 064 00 90	key	1	2