




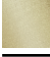

**MEM Wall-mounted single-lever basin mixer without pop-up waste - Chrome**

MEM

36 867 782



- 125mm projection
- fixed spout
- rectangular, air-enriched flow
- hole diameter spout 35 mm
- hole diameter single-lever mixer 57 mm
- rosette for spout 80 x 60mm
- rosette for mixer 80 x 80mm
- max. flow 4.5 l/min
- lead-free
- This product can help a building meet the requirements of Green Building Rating Systems, e.g. LEED®, BREEAM®, DGNB

	Chrome	36 867 782-00 0010
	Brushed Platinum	36 867 782-06 0010
	Platinum	36 867 782-08 0010
	Brushed Durabronze (23kt Gold)	36 867 782-28 0010
	Brushed Dark Platinum	36 867 782-99 0010

**Required miscellaneous**



**Concealed wall-mounted single-lever mixer -** 35 860 970-90 0010

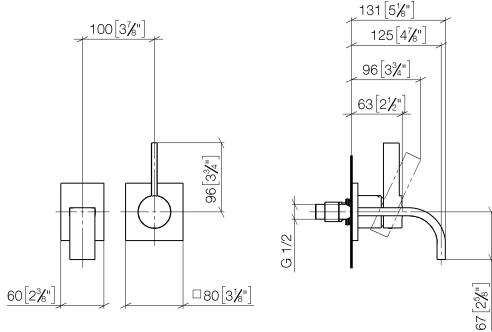


# MEM Wall-mounted single-lever basin mixer without pop-up waste - Chrome

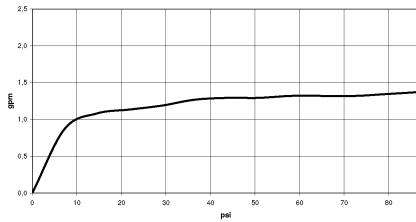
MEM

36 867 782

mm [inches]



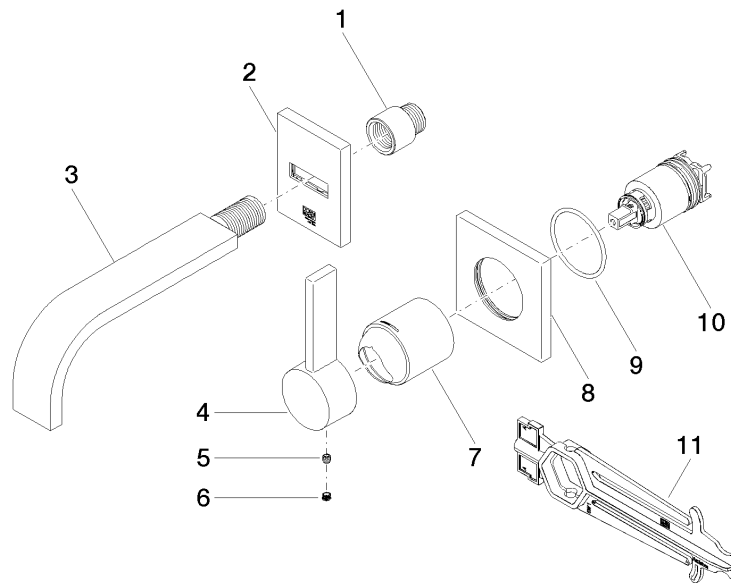
## Flow rate chart



## Codes & Standards

California Energy  
Commission  
(CEC)

36 867 782



### Spare parts list

No.	Item Number	Name	Quantity used	Delivery time
1	09 24 03 072 10 90	nipple	1	2
2	90 27 78 055 00-00	rosette	1	10
3	90 28 22 357 01-00	spout	1	10
4	09 20 78 058-00	handle	1	10
5	90 31 11 030 00 90	pin	1	2
6	90 31 20 109 00 90	plug	1	2
7	09 11 02 288-00	cover	1	10
8	09 27 78 039-00	rosette	1	10
9	90 14 10 049 00 90	seal	1	2
10	90 15 05 064 01 90	cartridge	1	2
11	90 30 09 064 00 90	key	1	2