




36 867 809



- 125mm projection
- fixed spout
- circular, air-enriched flow
- hole diameter spout 35 mm
- hole diameter single-lever mixer 57 mm
- rosette for single-lever mixer Ø 78mm
- rosette for spout Ø 60mm
- max. flow 4.5 l/min
- lead-free
- This product can help a building meet the requirements of Green Building Rating Systems, e.g. LEED®, BREEAM®, DGNB

	Chrome	36 867 809-00 0010
	Brushed Platinum	36 867 809-06 0010
	Platinum	36 867 809-08 0010
	Brushed Durabronze (23kt Gold)	36 867 809-28 0010
	Brushed Bronze	36 867 809-42 0010
	Brushed Champagne (22kt Gold)	36 867 809-46 0010
	Champagne (22kt Gold)	36 867 809-47 0010
	Brushed Dark Platinum	36 867 809-99 0010

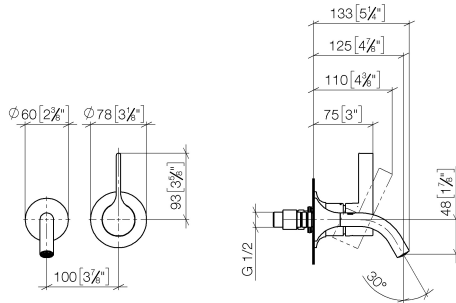
Required miscellaneous



- Concealed wall-mounted single-lever mixer -** 35 860 970-90 0010
- min. recess depth 80 mm
 - max. recess depth 95 mm

36 867 809

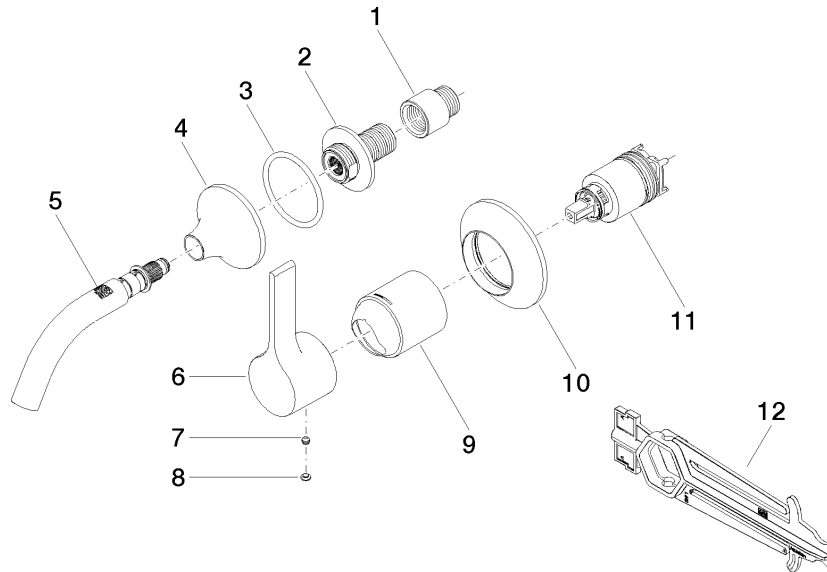
mm [inches]



Codes & Standards

California Energy
Commission
(CEC)

36 867 809



Spare parts list

No.	Item Number	Name	Quantity used	Delivery time
1	09 24 03 072 10 90	nipple	1	2
2	09 24 03 269 90	nipple	1	2
3	09 14 10 084 90	seal	1	2
4	09 27 80 011-00	rosette	1	10
5	90 28 22 366 00-00	spout	1	10
6	09 20 80 021-00	handle	1	10
7	90 31 11 063 00 90	pin	1	2
8	90 31 20 087 00-00	plug	1	10
9	09 11 02 288-00	cover	1	10
10	90 27 80 012 00-00	rosette	1	10
11	90 15 05 064 01 90	cartridge	1	2
12	90 30 09 064 00 90	key	1	2